



PARTS CATALOGUE

TZ250 (5KE1) ALL

YAMAHA
GENUINE
Parts & Accessories

205KE-100E1



A3

FOREWORD

This Parts Catalogue is related to the parts for the model(s) in the below frame. When you are ordering replacement parts, please refer to this Parts Catalogue and quote both part numbers and part names correctly.

TZ250(5KE1)

1. Modifications or additions which have been made after issue of the Parts Catalogue will be announced in the Yamaha Parts News.
It is advisable that you make necessary corrections to the Parts Catalogue according to the Yamaha Parts News.

2. Abbreviations
The Following abbreviations are used in this Parts Catalogue.

"UR" Use specified parts number.

"UN" Use as many as needed.

"AP" Alternate Parts

"LM" Local Made (Parts need to be ordered locally)

"F#" Frame No. (Applicable machine No.)

3. Parts, which are to be supplied in an assembly, are listed with a dot(.) in front of the part name as shown below.

EXAMPLE

CARBURETOR ASSY

.JET, PILOT

.NOZZLE, MAIN

4. Number of component for assembly
The numeral appearing to the right of each component part indicates the quantity of parts for each assembly unit.

EXAMPLE

PART NO.	DESCRIPTION	Q'TY	REMARKS
2F5-83310-60	FRONT FLASHER LIGHT ASSY	2	
115-83311-60	.BULB (6V-18W)	1	
1M1-83309-60	.REFLECTOR	1	

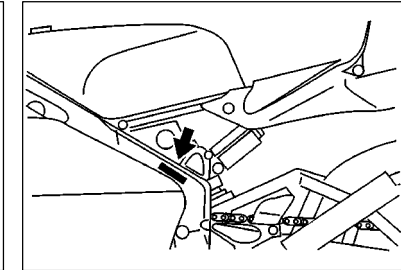
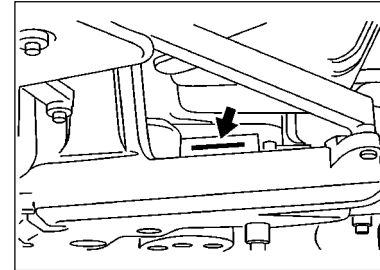
5. Applicable colors of graphics are represented in the "REMARKS" as shown below.

PART NO.	DESCRIPTION	Q'TY	REMARKS
2N4-24110-00-X5	.FUEL TANK COMP.	2	MXR
3J1-24240-10	.GRAPHIC, FUEL TANK	1	for MXR

6. Applicable Serial No.

Engine Serial No.

Frame Serial No.

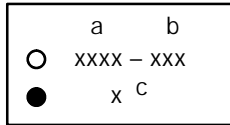


7. Note that the illustrations for reference in funding parts numbers, not to be used for assembling. When assembling, please use the applicable service manual.
8. The asterisk (*) before a reference number indicates modification items after the first edition.

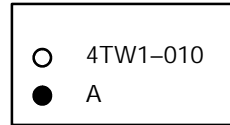
MODEL LABEL

(1) A label called "Model Label" is affixed in the location as indicated in (3) below.
When using this parts catalogue, please be sure to cross-refer the "model code – production code No." in the catalogue to the "model code – production code No." indicated on the Model Label affixed onto the product concerned.

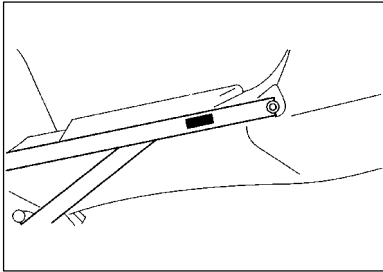
(2) "Model Label" Indication



a: Model Type Code
b: Production Code No.
c: Colouring Type



(3) Model Label Affixing Location



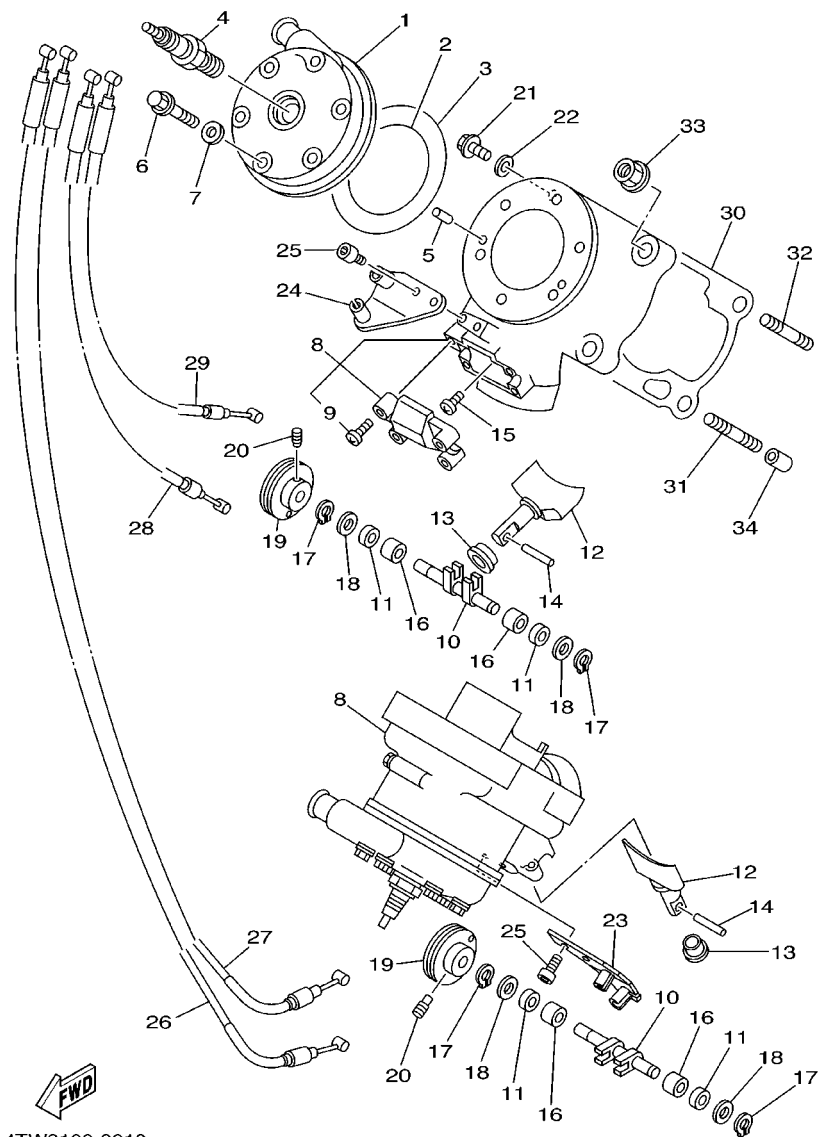
(4) Model Code – Production Code Number of Model Listed in This Parts Catalog

Model Code	Production Code No.	Country (destination)	Model Code	Production Code No.	Country (destination)
5KE1	010	JAPAN	5KE1	100	HOLLAND
	020	AUSTRALIA		110	SWEDEN
		NEW ZEALAND		120	U.S.A.
	030	BELGIUM			
		FRANCE			
	040	SWITZERLAND			
	050	GERMANY			
	060	DENMARK			
		FINLAND			
		ENGLAND			
		NORWAY			
		PORTUGAL			
	070	ESPAÑA			
080	GREECE				
090	ITALY				

(5) Colouring Information

Model Code	Colouring type code	Colour code	Colour Name	Abbreviation
5KE1	A	0036	WHITE	W

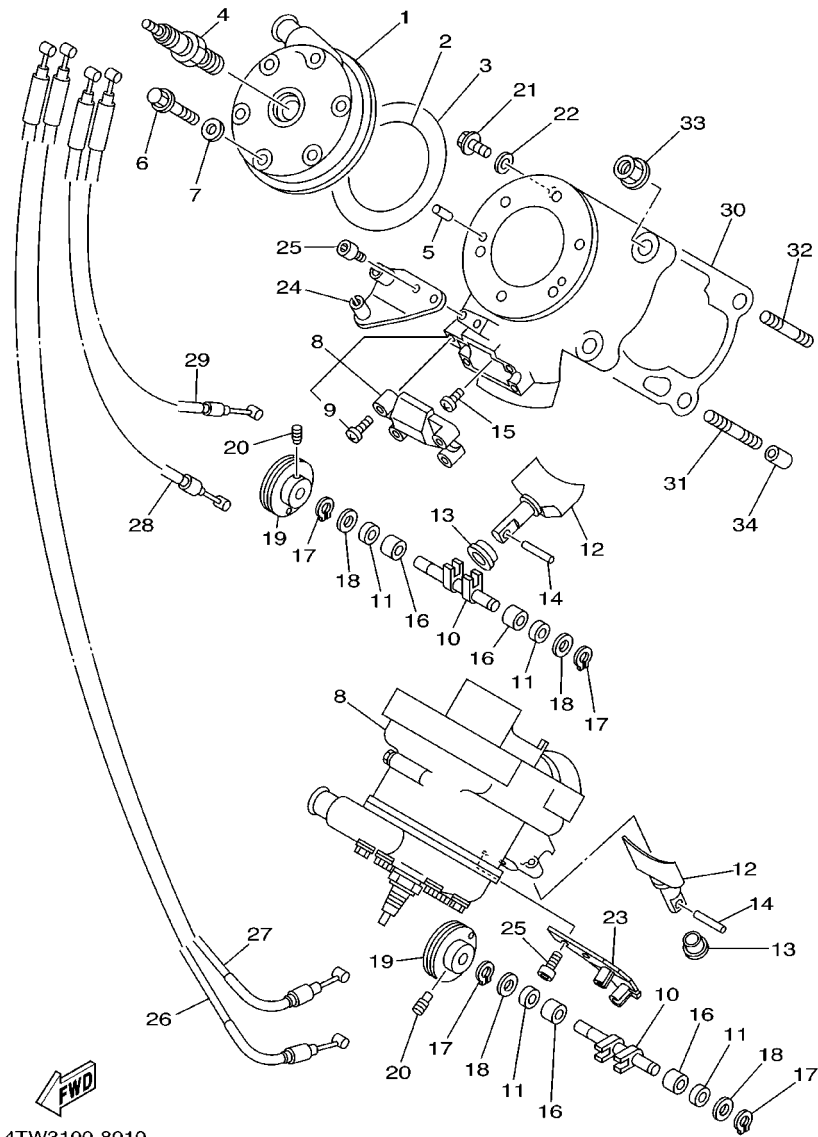
FIG. 1 CYLINDER HEAD



4TW3100-8010

REF. NO.	PART NO.	DESCRIPTION	USA	EUR	OCE	JPN	REMARKS
1	5KE-11111-00	HEAD, CYLINDER 1	2	2	2	2	
2	93210-63442	O-RING	2	2	2	2	
3	93210-88696	O-RING	2	2	2	2	
4	94702-00374	PLUG, SPARK (R6179A-105P)	2	2	2		NGK
	94709-00374	PLUG, SPARK (R6179A-105P)				2	NGK
5	93604-08071	PIN, DOWEL	4	4	4	4	
6	90105-063A0	BOLT, WASHER BASED	12	12	12	12	
7	90430-06166	GASKET	12	12	12	12	
8	5KE-11310-00	CYLINDER	2	2	2	2	
9	98907-05020	.SCREW, BIND	4	4	4	4	
10	3LC-1131V-00	SHAFT 1	2	2	2	2	
11	93104-08040	OIL SEAL	4	4	4	4	
12	5KE-1131A-00	VALVE 1	2	2	2	2	
13	1RK-1131E-00	HOLDER 1	2	2	2	2	
14	93604-26256	PIN, DOWEL	2	2	2	2	
15	90109-05001	BOLT	2	2	2	2	
16	90380-08192	BUSH, SOLID	4	4	4	4	
17	93440-08130	CIRCLIP	4	4	4	4	
18	90201-08403	WASHER, PLATE	4	4	4	4	
19	4DP-1132E-00	PULLEY 1	2	2	2	2	
20	90149-05149	SCREW	2	2	2	2	
21	95827-06010	BOLT, FLANGE	2	2	2	2	
22	90430-06166	GASKET	2	2	2	2	
23	3YL-11932-10	SETTER, WIRE	1	1	1	1	
24	3YL-11932-00	SETTER, WIRE	1	1	1	1	
25	91317-05010	BOLT	4	4	4	4	
26	4TW-1133E-00	CABLE, PULLEY 1	1	1	1	1	CLOSE

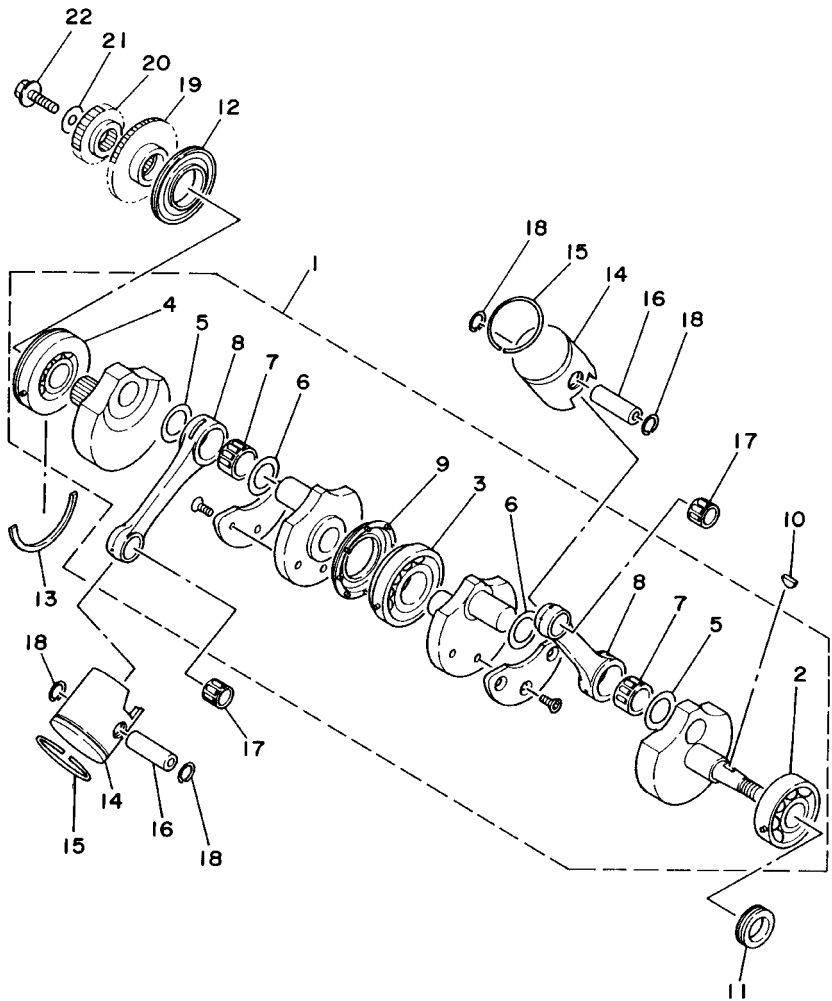
FIG. 1 CYLINDER HEAD



4TW3100-8010

REF. NO.	PART NO.	DESCRIPTION	USA	EUR	OCE	JPN	REMARKS
27	4TW-1133F-00	CABLE, PULLEY 2	1	1	1	1	OPEN
28	4TW-1133G-00	CABLE, PULLEY 3	1	1	1	1	CLOSE
29	4TW-1133H-01	CABLE, PULLEY 4	1	1	1	1	OPEN
30	4JT-11351-02	GASKET, CYLINDER (0.8T)	2	2	2	2	STD
	4JT-11351-12	GASKET, CYLINDER (0.7T)	2	2	2	2	AP
	4JT-11351-22	GASKET, CYLINDER (0.6T)	2	2	2	2	AP
	4DP-11351-31	GASKET, CYLINDER (0.5T)	2	2	2	2	AP
	4DP-11351-40	GASKET, CYLINDER (0.4T)	2	2	2	2	AP
31	90116-08409	BOLT, STUD	4	4	4	4	
32	90116-08564	BOLT, STUD	4	4	4	4	
33	90179-08003	NUT	8	8	8	8	
34	99510-10114	PIN, DOWEL	4	4	4	4	

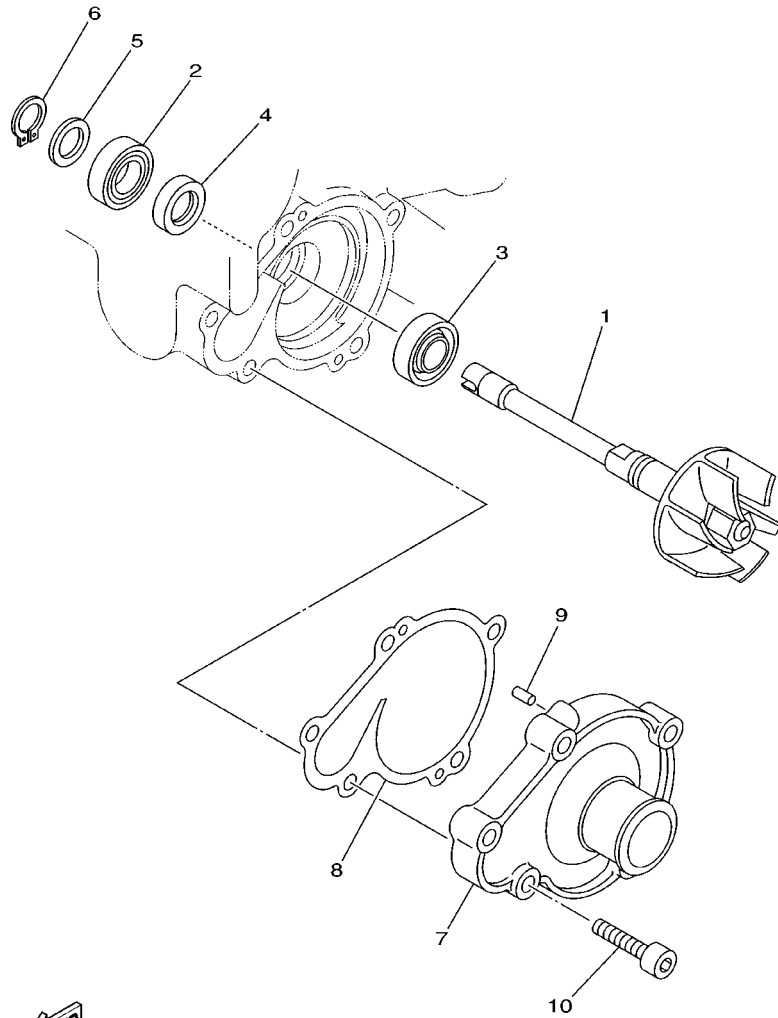
FIG. 2 CRANKSHAFT. PISTON



FWD
3YL1100-1020

REF. NO.	PART NO.	DESCRIPTION	USA	EUR	OCE	JPN	REMARKS
1	5KE-11400-00	CRANKSHAFT ASSY	1	1	1	1	
2	93306-30564	.BEARING	1	1	1	1	
3	93306-30632	.BEARING	1	1	1	1	
4	93306-30571	.BEARING	1	1	1	1	
5	90209-24327	.WASHER	2	2	2	2	
6	90209-24316	.WASHER	2	2	2	2	
7	93310-52403	.BEARING	2	2	2	2	
8	5KE-11651-00	.ROD, CONNECTING	2	2	2	2	
9	93101-44160	.OIL SEAL	1	1	1	1	
10	90280-04001	KEY, WOODRUFF	1	1	1	1	
11	93102-25438	OIL SEAL	1	1	1	1	
12	93102-35030	OIL SEAL	1	1	1	1	
13	278-17424-01	CIRCLIP 1	1	1	1	1	
14	5KE-11631-00-A0	PISTON (STD)	2	2	2	2	
	5KE-11631-00-B0	PISTON (STD)	2	2	2	2	
	5KE-11631-00-C0	PISTON (STD)	2	2	2	2	
15	4JT-11611-00	RING, PISTON	2	2	2	2	
16	4XM-11633-00	PIN, PISTON	2	2	2	2	
17	93310-315S4	BEARING	2	2	2	2	
18	93450-16068	CIRCLIP	4	4	4	4	
19	5KE-11536-00	GEAR, DRIVE	1	1	1	1	
20	5KE-16111-00	GEAR, PRIMARY DRIVE	1	1	1	1	
21	90201-10144	WASHER, PLATE	1	1	1	1	
22	90105-10445	BOLT, WASHER BASED	1	1	1	1	

FIG. 4 WATER PUMP

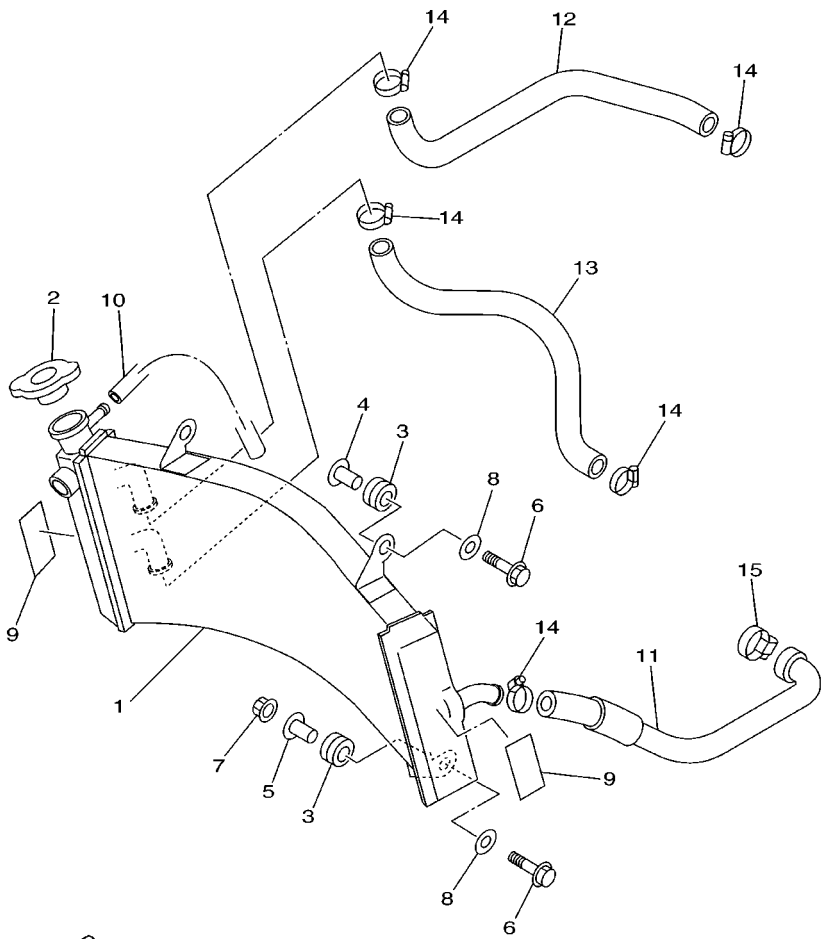


REF. NO.	PART NO.	DESCRIPTION	USA	EUR	OCE	JPN	REMARKS
1	5KE-12450-00	IMPELLER SHAFT ASSY	1	1	1	1	
2	93306-90105	BEARING	1	1	1	1	
3	93109-11073	OIL SEAL	1	1	1	1	
4	93101-12126	OIL SEAL	1	1	1	1	
5	90201-12166	WASHER, PLATE	1	1	1	1	
6	99009-12400	CIRCLIP	1	1	1	1	
7	5KE-12422-00	COVER, HOUSING	1	1	1	1	
8	5KE-12428-00	GASKET, HOUSING COVER 2	1	1	1	1	
9	93604-10011	PIN, DOWEL	2	2	2	2	
10	91317-06025	BOLT	5	5	5	5	


5KE1100-0040

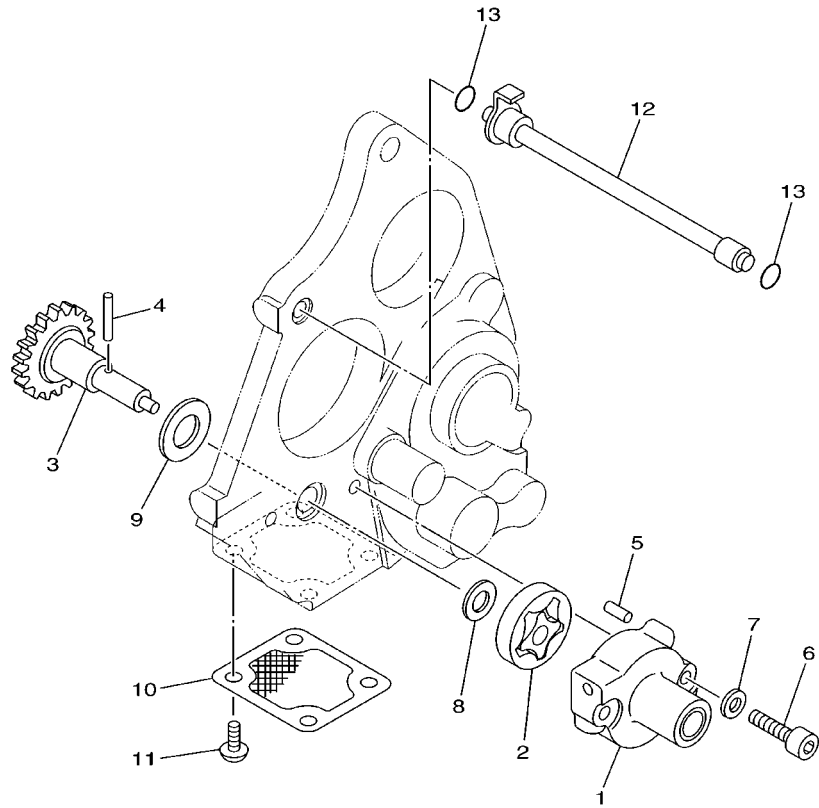
FIG. 5 RADIATOR. HOSE

REF. NO.	PART NO.	DESCRIPTION	USA	EUR	OCE	JPN	REMARKS
1	4TW-12461-00	RADIATOR ASSY	1	1	1	1	
2	22W-12462-00	CAP, RADIATOR	1	1	1	1	
3	90480-15363	GROMMET	3	3	3	3	
4	90387-066N1	COLLAR	2	2	2	2	
5	90387-063E6	COLLAR	1	1	1	1	
6	95027-06030	BOLT, FLANGE	3	3	3	3	
7	95607-06200	NUT, SELF U-FLANGE	1	1	1	1	
8	90201-06571	WASHER, PLATE	3	3	3	3	
9	3YL-12232-00	DAMPER	2	2	2	2	
10	90445-09251	HOSE	1	1	1	1	
11	5KE-12482-00	PIPE 2	1	1	1	1	
12	5KE-12483-00	PIPE 3	1	1	1	1	
13	4TW-12484-10	PIPE 4	1	1	1	1	
14	90460-20190	CLAMP, HOSE	5	5	5	5	
15	90450-40009	HOSE CLAMP ASSY	1	1	1	1	



5KE1100-0050

FIG. 6 OIL PUMP



REF. NO.	PART NO.	DESCRIPTION	USA	EUR	OCE	JPN	REMARKS
1	5KE-13316-00	COVER, PUMP	1	1	1	1	
2	5H0-13310-00	ROTOR ASSY 1	1	1	1	1	
3	4DP-Y1332-00	GEAR, PUMP	1	1	1	1	
4	93603-12030	PIN, DOWEL	1	1	1	1	
5	93604-10011	PIN, DOWEL	2	2	2	2	
6	91317-05025	BOLT	3	3	3	3	
7	92907-05600	WASHER, PLATE	3	3	3	3	
8	90201-08512	WASHER, PLATE	1	1	1	1	
9	90201-127E1	WASHER, PLATE	1	1	1	1	
10	5KE-13411-00	STRAINER, OIL	1	1	1	1	
11	98507-06010	SCREW, PAN HEAD	4	4	4	4	
12	5KE-13161-00	PIPE, DELIVERY 1	1	1	1	1	
13	93210-06001	O-RING	2	2	2	2	



5KE1100-0060

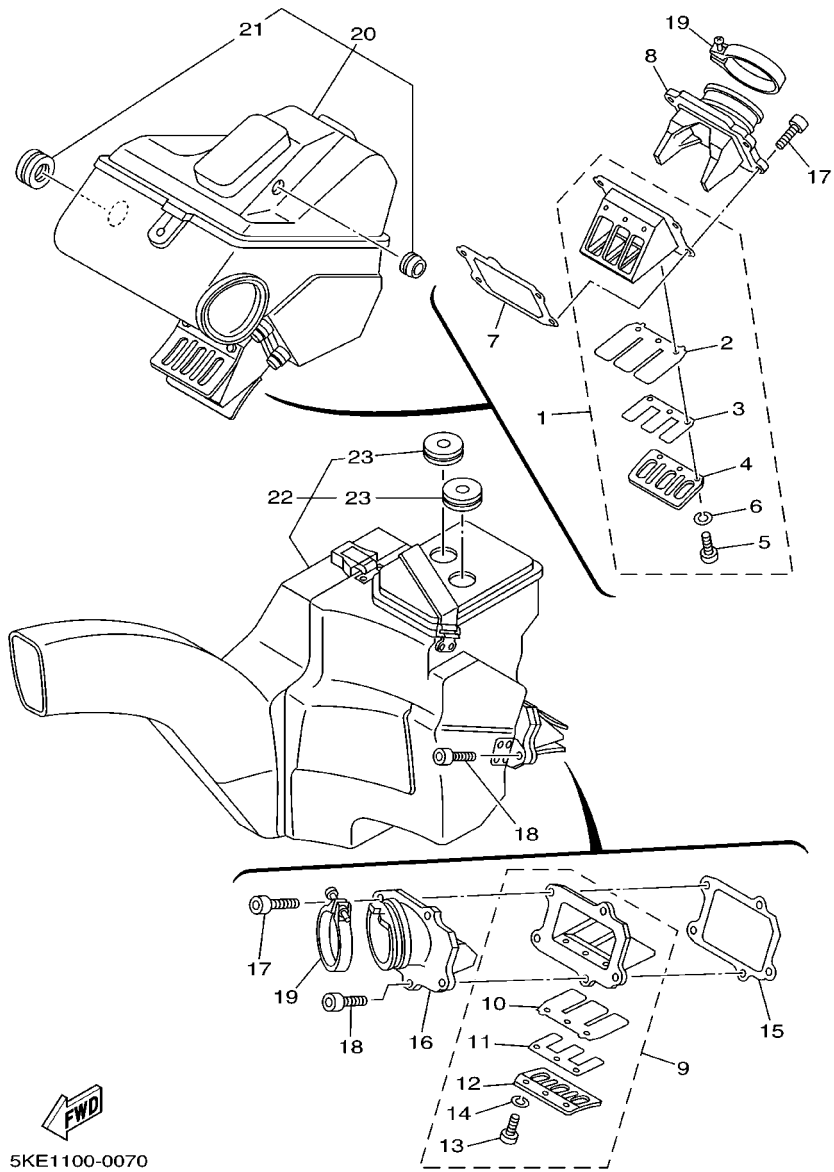
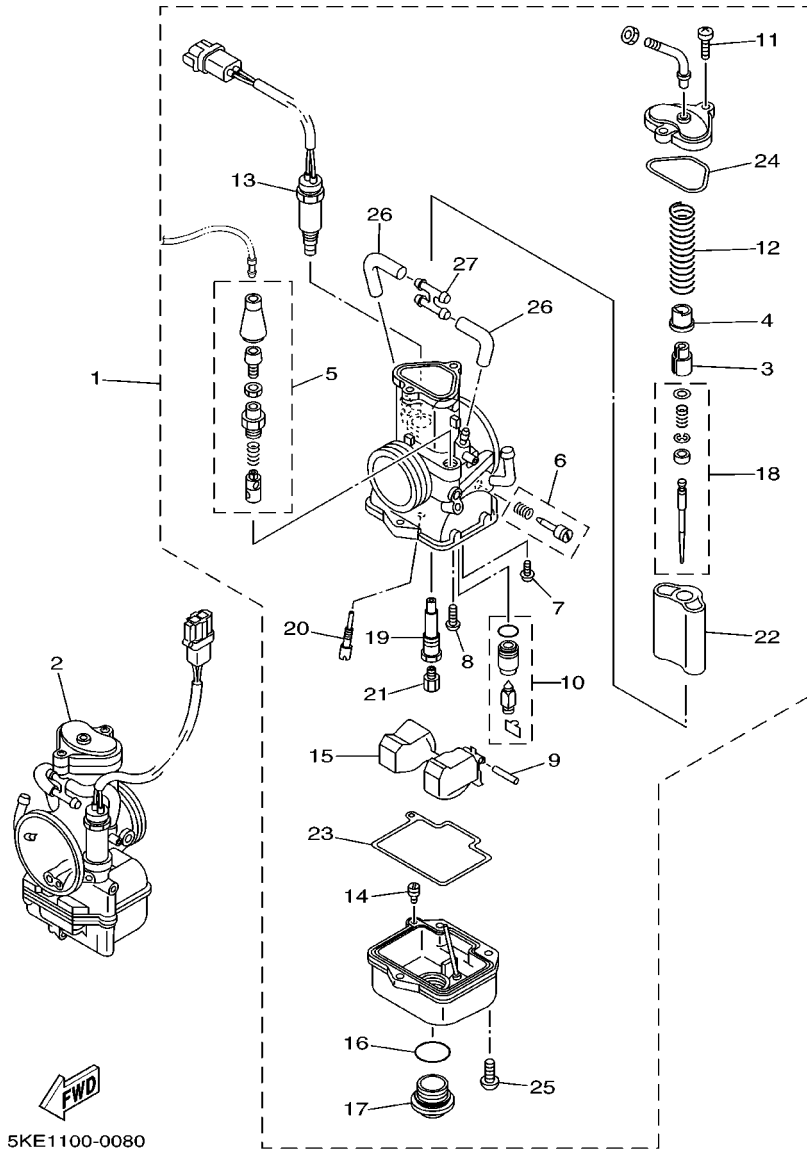


FIG. 7 INTAKE

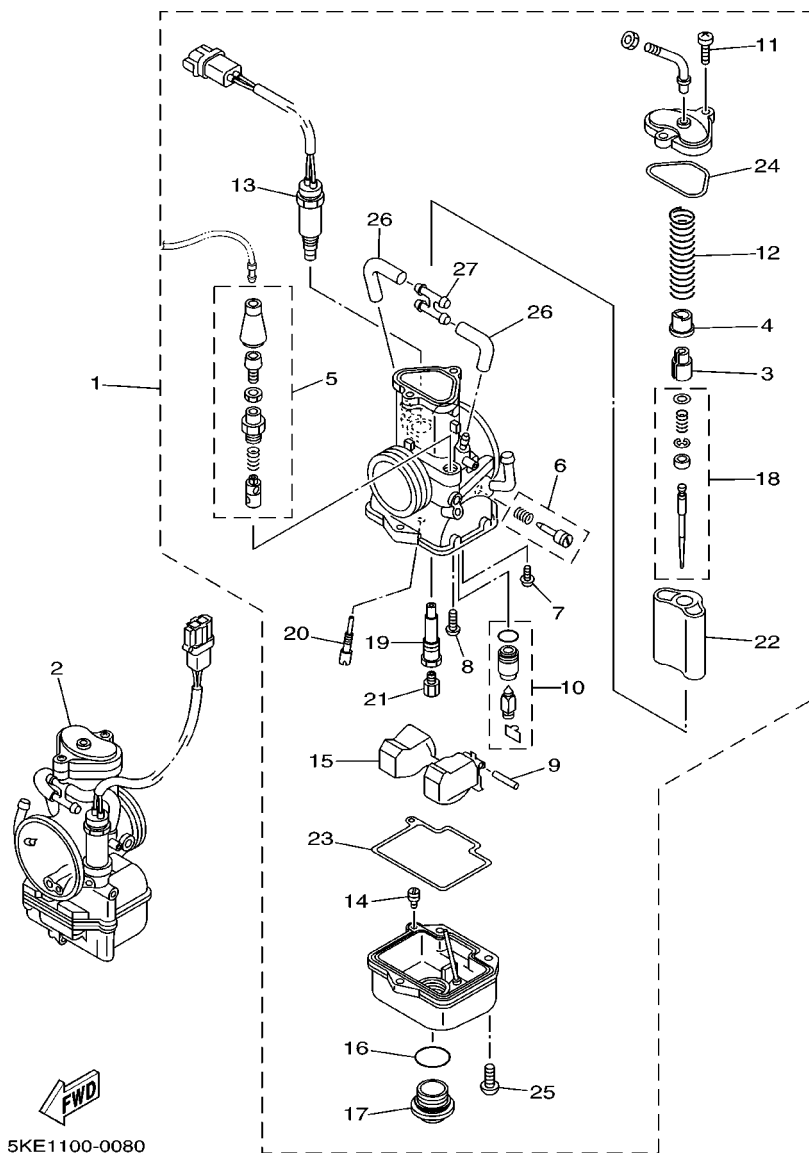
REF. NO.	PART NO.	DESCRIPTION	USA	EUR	OCE	JPN	REMARKS
1	5KE-13610-00	REED VALVE ASSY	1	1	1	1	
2	3XV-13613-01	.REED, VALVE	2	2	2	2	
3	2KM-13614-00	.REED, VALVE 2	2	2	2	2	
4	3YL-13617-00	.STOPPER, REED VALVE 2	2	2	2	2	
5	98507-03006	.SCREW, PAN HEAD	6	6	6	6	
6	92907-03100	.WASHER	6	6	6	6	
7	5KE-13621-00	GASKET, VALVE SEAT	1	1	1	1	
8	5KE-13555-00	MANIFOLD, INTAKE	1	1	1	1	
9	5KE-13620-00	REED VALVE ASSY	1	1	1	1	
10	3XV-13613-01	.REED, VALVE	2	2	2	2	
11	2KM-13614-00	.REED, VALVE 2	2	2	2	2	
12	3YL-13617-00	.STOPPER, REED VALVE 2	2	2	2	2	
13	98507-03006	.SCREW, PAN HEAD	6	6	6	6	
14	92907-03100	.WASHER	6	6	6	6	
15	5KE-13622-00	GASKET, VALVE SEAT	1	1	1	1	
16	5KE-13565-00	JOINT, CARBURETOR	1	1	1	1	
17	91317-06025	BOLT	6	6	6	6	
18	91314-06020	BOLT	3	3	3	3	
19	90460-52210	CLAMP, HOSE	2	2	2	2	
20	5KE-2160A-00	BOX COMP.	1	1	1	1	
21	90480-25482	.GROMMET	1	1	1	1	
22	5KE-21240-00	BOX COMP.	1	1	1	1	
23	90480-25482	.GROMMET	2	2	2	2	

FIG. 8 CARBURETOR



REF. NO.	PART NO.	DESCRIPTION	USA	EUR	OCE	JPN	REMARKS
1	5KE-14101-00	CARBURETOR ASSY 1	1	1	1	1	
2	5KE-14102-00	CARBURETOR ASSY 2	1	1	1	1	
3	5KE-14261-00	.HOLDER	1	1	1	1	
4	4PE-14194-00	.RING	1	1	1	1	
5	4TW-1410A-00	.STARTER SET	1	1	1	1	
6	3JD-14104-00	.AIR SCREW SET	1	1	1	1	
7	1FN-14565-00	.SCREW	1	1	1	1	
8	98507-04008	.SCREW, PAN HEAD	1	1	1	1	
9	353-14186-00	.PIN, FLOAT	1	1	1	1	
10	4TW-14107-15	.NEEDLE VALVE SET	1	1	1	1	
11	98507-04014	.SCREW, PAN HEAD	2	2	2	2	
12	4TW-14131-00	.SPRING, THROTTLE VALVE	1	1	1	1	
13	3XV-1410H-00	.FUEL CUT SOLENOID VALVE	1	1	1	1	
14	830-14231-11	.JET, MAIN (# 55)	1	1	1	1	STD
	830-14231-10	.JET, MAIN (# 50)	1	1	1	1	AP
15	5ET-14185-00	.FLOAT	1	1	1	1	
16	2K6-14147-00	.O-RING	1	1	1	1	
17	5ET-14115-00	.PLUG, SCREW	1	1	1	1	
18	5KE-1490J-00	.NEEDLE SET	1	1	1	1	
19	3TC-14141-S4	.NOZZLE, MAIN (S-4)	1	1	1	1	STD
	3TC-14141-R9	.NOZZLE, MAIN (R-9)	1	1	1	1	AP
	3TC-14141-S0	.NOZZLE, MAIN (S-0)	1	1	1	1	AP
	3TC-14141-S1	.NOZZLE, MAIN (S-1)	1	1	1	1	AP
	3TC-14141-S2	.NOZZLE, MAIN (S-2)	1	1	1	1	AP
20	4KM-14142-30	.JET, PILOT (# 30)	1	1	1	1	STD
	4KM-14142-25	.JET, PILOT (# 25)	1	1	1	1	AP
	4KM-14142-27	.JET, PILOT (# 27.5)	1	1	1	1	AP

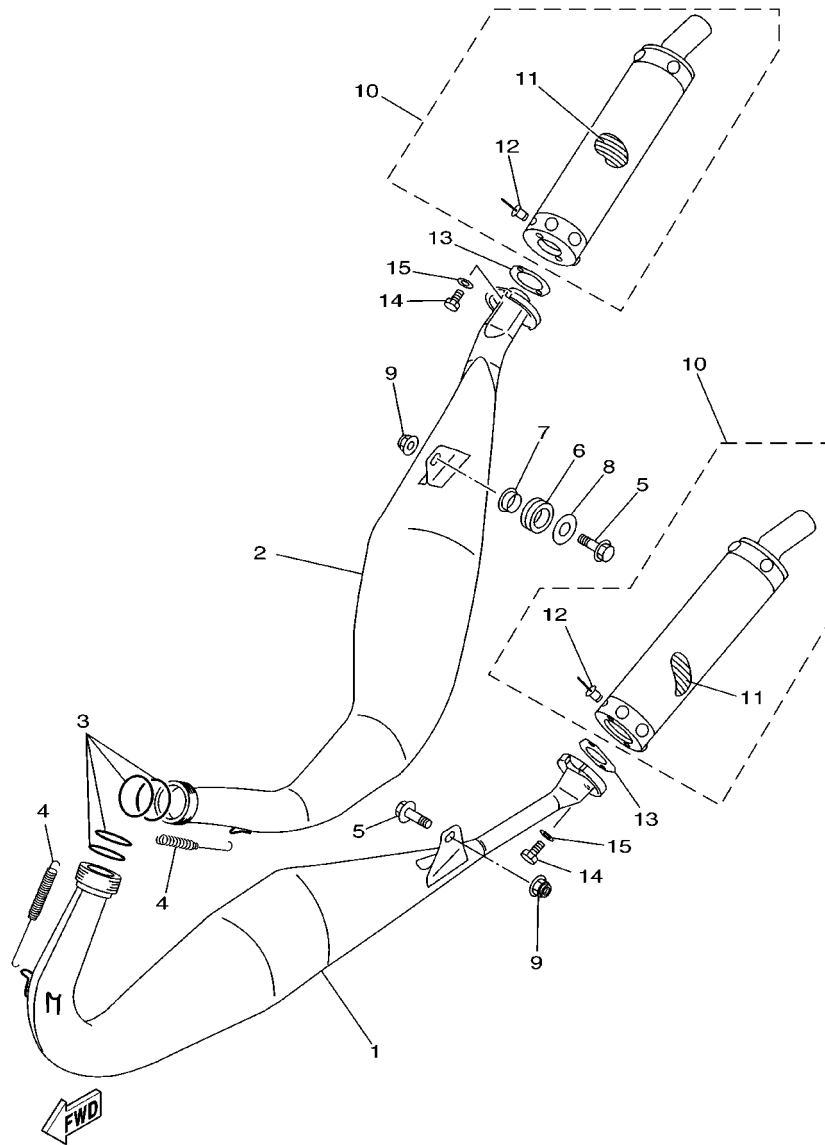
FIG. 8 CARBURETOR



5KE1100-0080

REF. NO.	PART NO.	DESCRIPTION	USA	EUR	OCE	JPN	REMARKS
21	137-1414K-16	.JET, MAIN (#580)	1	1	1	1	STD
	137-1414K-00	.JET, MAIN (#500)	1	1	1	1	AP
	137-1414K-08	.JET, MAIN (#540)	1	1	1	1	AP
	137-1414K-12	.JET, MAIN (#560)	1	1	1	1	AP
	137-14143-70	.JET, MAIN (#350)	1	1	1	1	AP
	137-14143-72	.JET, MAIN (#360)	1	1	1	1	AP
	137-14143-74	.JET, MAIN (#370)	1	1	1	1	AP
	137-14143-76	.JET, MAIN (#380)	1	1	1	1	AP
	137-14143-78	.JET, MAIN (#390)	1	1	1	1	AP
	137-14143-80	.JET, MAIN (#400)	1	1	1	1	AP
	137-14143-82	.JET, MAIN (#410)	1	1	1	1	AP
	137-14143-84	.JET, MAIN (#420)	1	1	1	1	AP
	137-14143-86	.JET, MAIN (#430)	1	1	1	1	AP
	137-14143-88	.JET, MAIN (#440)	1	1	1	1	AP
	137-14143-90	.JET, MAIN (#450)	1	1	1	1	AP
	137-14143-92	.JET, MAIN (#460)	1	1	1	1	AP
	137-14143-94	.JET, MAIN (#470)	1	1	1	1	AP
	137-14143-96	.JET, MAIN (#480)	1	1	1	1	AP
	137-14143-98	.JET, MAIN (#490)	1	1	1	1	AP
22	5KE-14112-50	.VALVE, THROTTLE 1	1	1	1	1	
23	4TW-1416A-00	.O-RING	1	1	1	1	
24	5ET-14147-00	.O-RING	1	1	1	1	
25	98507-05014	.SCREW, PAN HEAD	3	3	3	3	
26	4TW-14197-00	.PIPE	2	2	2	2	
27	8J0-14251-00	.NIPPLE	1	1	1	1	

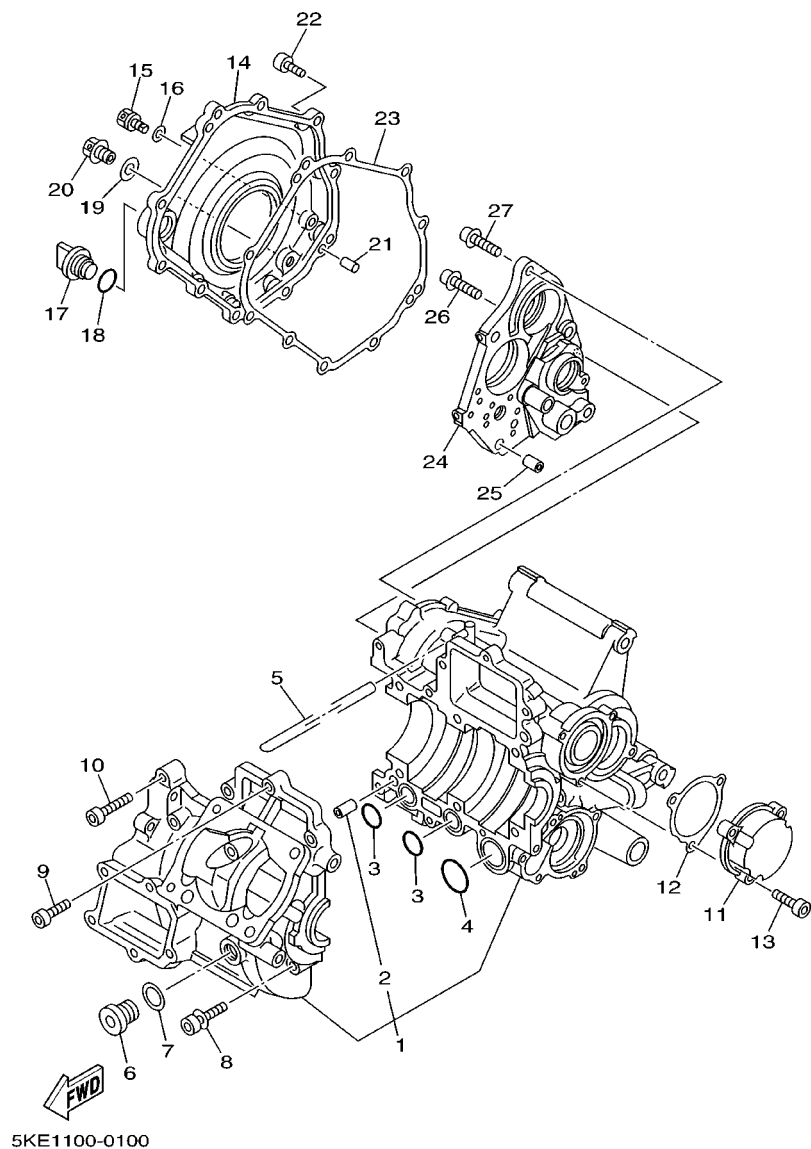
FIG. 9 EXHAUST



4TW4100-9090

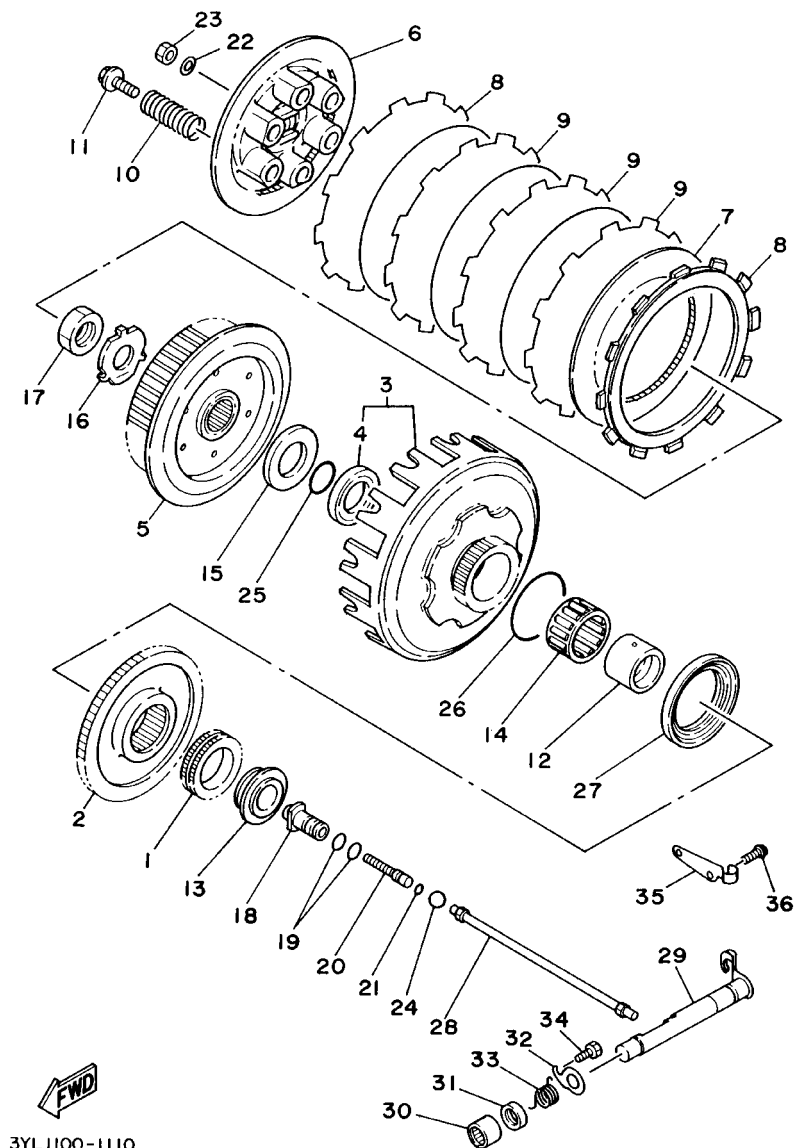
REF. NO.	PART NO.	DESCRIPTION	USA	EUR	OCE	JPN	REMARKS
1	5KE-14610-10	EXHAUST PIPE ASSY 1	1				
	5KE-14610-00	EXHAUST PIPE ASSY 1		1	1	1	
2	5KE-14620-10	EXHAUST PIPE ASSY 2	1				
	5KE-14620-00	EXHAUST PIPE ASSY 2		1	1	1	
3	93210-42728	O-RING	4	4	4	4	
4	90507-20035	SPRING, TENSION	4	4	4	4	
5	95027-08030	BOLT, FLANGE	2	2	2	2	
6	90480-20389	GROMMET	1	1	1	1	
7	90387-084Y3	COLLAR	1	1	1	1	
8	90202-08022	WASHER, PLATE	1	1	1	1	
9	90185-08097	NUT, SELF-LOCKING	2	2	2	2	
10	5KE-14753-00	SILENCER, EXHAUST	2	2	2	2	
11	4JT-1469A-00	.FIBER	1	1	1	1	
12	90267-48147	.RIVET, BLIND	10	10	10	10	
13	4DP-14755-00	GASKET, SILENCER	2	2	2	2	
14	97027-06020	BOLT	4	4	4	4	
15	92907-06600	WASHER, PLATE	4	4	4	4	

FIG. 10 CRANKCASE



REF. NO.	PART NO.	DESCRIPTION	USA	EUR	OCE	JPN	REMARKS
1	5KE-15100-00	CRANKCASE ASSY	1	1	1	1	
2	99530-10014	.PIN, DOWEL	2	2	2	2	
3	93210-19758	O-RING	2	2	2	2	
4	93210-28543	O-RING	1	1	1	1	
5	90445-093H5	HOSE	1	1	1	1	
6	90340-18101	PLUG, STRAIGHT SCREW	1	1	1	1	
7	90201-183H2	WASHER, PLATE	1	1	1	1	
8	90109-084F1	BOLT	6	6	6	6	
9	91317-06030	BOLT	5	5	5	5	
10	91314-06035	BOLT	3	3	3	3	
11	5KE-15411-00	COVER, CRANKCASE 1	1	1	1	1	
12	5KE-15451-00	GASKET, CRANKCASE COVER 1	1	1	1	1	
13	91317-06025	BOLT	3	3	3	3	
14	5KE-15421-00	COVER, CRANKCASE 2	1	1	1	1	
15	90338-06041	PLUG	1	1	1	1	
16	90430-06166	GASKET	1	1	1	1	
17	4A0-15363-00	PLUG, OIL	1	1	1	1	
18	93210-21190	O-RING	1	1	1	1	
19	90430-12202	GASKET	1	1	1	1	
20	90340-12144	PLUG, STRAIGHT SCREW	1	1	1	1	
21	93606-12019	PIN, DOWEL	2	2	2	2	
22	91317-06020	BOLT	10	10	10	10	
23	5KE-15461-00	GASKET, CRANKCASE COVER 2	1	1	1	1	
24	5KE-15131-00	CRANKCASE 3	1	1	1	1	
25	99530-10014	PIN, DOWEL	2	2	2	2	
26	90109-06028	BOLT	2	2	2	2	
27	90109-06029	BOLT	4	4	4	4	

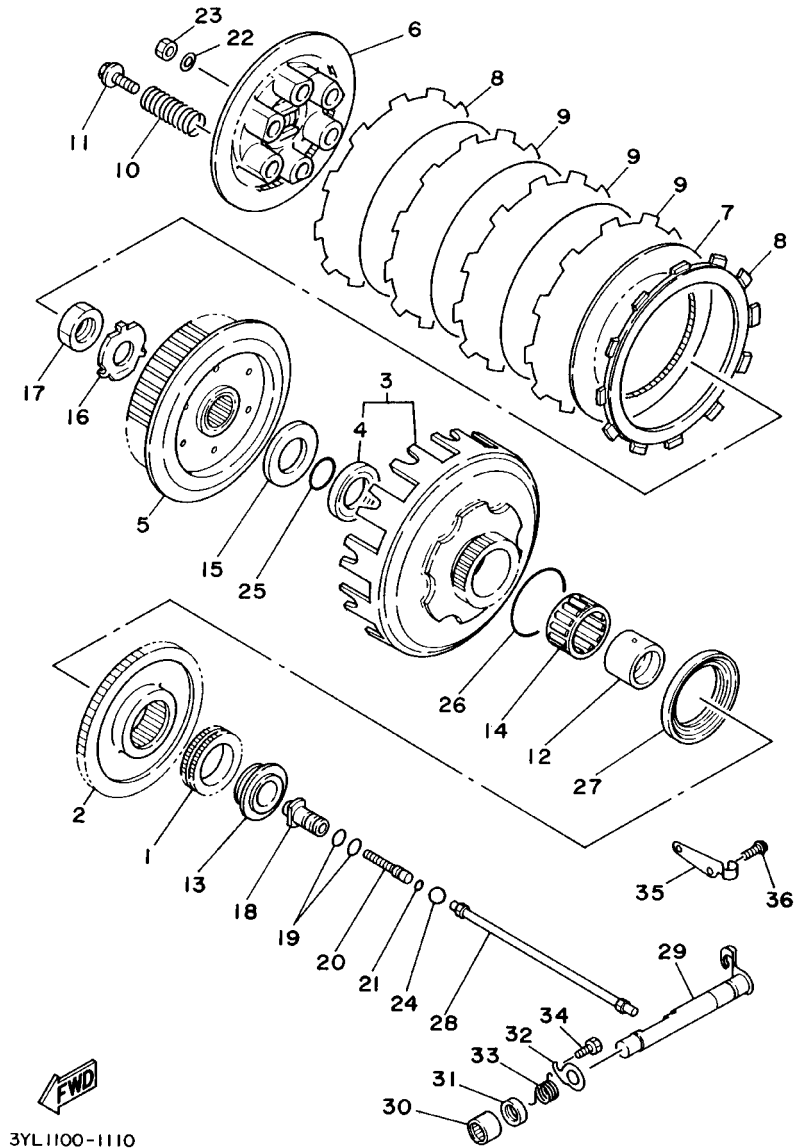
FIG. 11 CLUTCH



3YL1100-1110

REF. NO.	PART NO.	DESCRIPTION	USA	EUR	OCE	JPN	REMARKS
1	4DP-13324-00	GEAR, PUMP DRIVE	1	1	1	1	
2	5KE-16151-00	GEAR, PRIMARY DRIVEN	1	1	1	1	
3	5KE-16310-00	CLUTCH HOUSING ASSY	1	1	1	1	
4	93102-30243	.OIL SEAL	1	1	1	1	
5	3R4-16371-00	BOSS, CLUTCH	1	1	1	1	
6	26J-16351-00	PLATE, PRESSURE 1	1	1	1	1	
7	168-16324-00	PLATE, CLUTCH 1	5	5	5	5	
8	3YL-16321-01	PLATE, FRICTION	2	2	2	2	
9	3AK-16321-00	PLATE, FRICTION	4	4	4	4	
10	90501-230A5	SPRING, COMPRESSION	6	6	6	6	
11	90159-06016	SCREW, WITH WASHER	6	6	6	6	
12	5F7-16181-00	SPACER 1	1	1	1	1	
13	3YL-16154-00	PLATE, THRUST 1	1	1	1	1	
14	93310-332J5	BEARING	1	1	1	1	
15	5F7-16153-00	WASHER, THRUST	1	1	1	1	
16	90215-20212	WASHER, LOCK	1	1	1	1	
17	90170-20255	NUT	1	1	1	1	
18	59W-16356-00	ROD, PUSH 1	1	1	1	1	
19	93210-09165	O-RING	2	2	2	2	
20	5F7-16343-00	SCREW, ADJUSTING	1	1	1	1	
21	93210-04279	O-RING	1	1	1	1	
22	92907-06200	WASHER	1	1	1	1	
23	95307-06600	NUT	1	1	1	1	
24	93515-32029	BALL	1	1	1	1	
25	93210-22164	O-RING	1	1	1	1	
26	93210-42482	O-RING	1	1	1	1	
27	93101-56095	OIL SEAL	1	1	1	1	

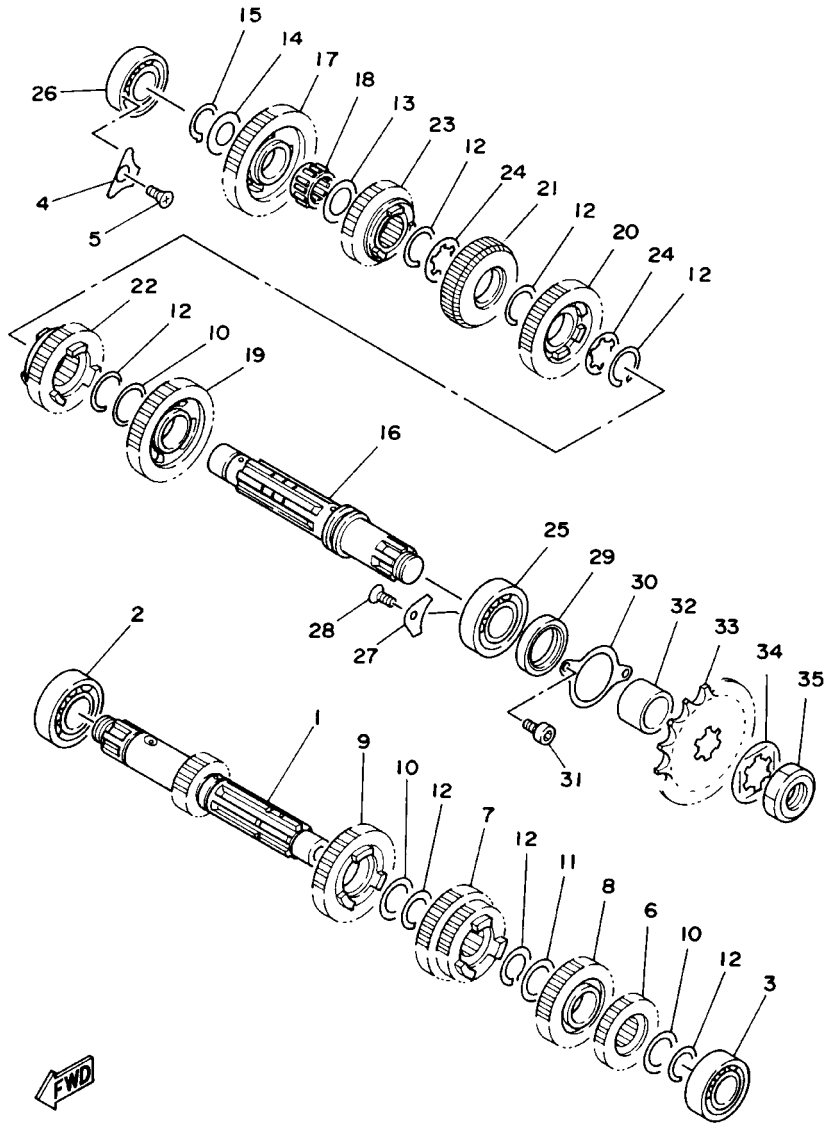
FIG. 11 CLUTCH



3YL1100-1110

REF. NO.	PART NO.	DESCRIPTION	USA	EUR	OCE	JPN	REMARKS
28	5KE-16357-00	ROD, PUSH 2	1	1	1	1	
29	5KE-16381-00	PUSH LEVER COMP.	1	1	1	1	
30	93315-11206	BEARING	1	1	1	1	
31	93102-12224	OIL SEAL	1	1	1	1	
32	3XV-16384-00	PLATE, SEAT	1	1	1	1	
33	90508-121A2	SPRING, TORSION	1	1	1	1	
34	91317-05010	BOLT	1	1	1	1	
35	3YL-15441-00	HOLDER, CLUTCH CABLE	1	1	1	1	
36	95027-06012	BOLT, FLANGE	2	2	2	2	

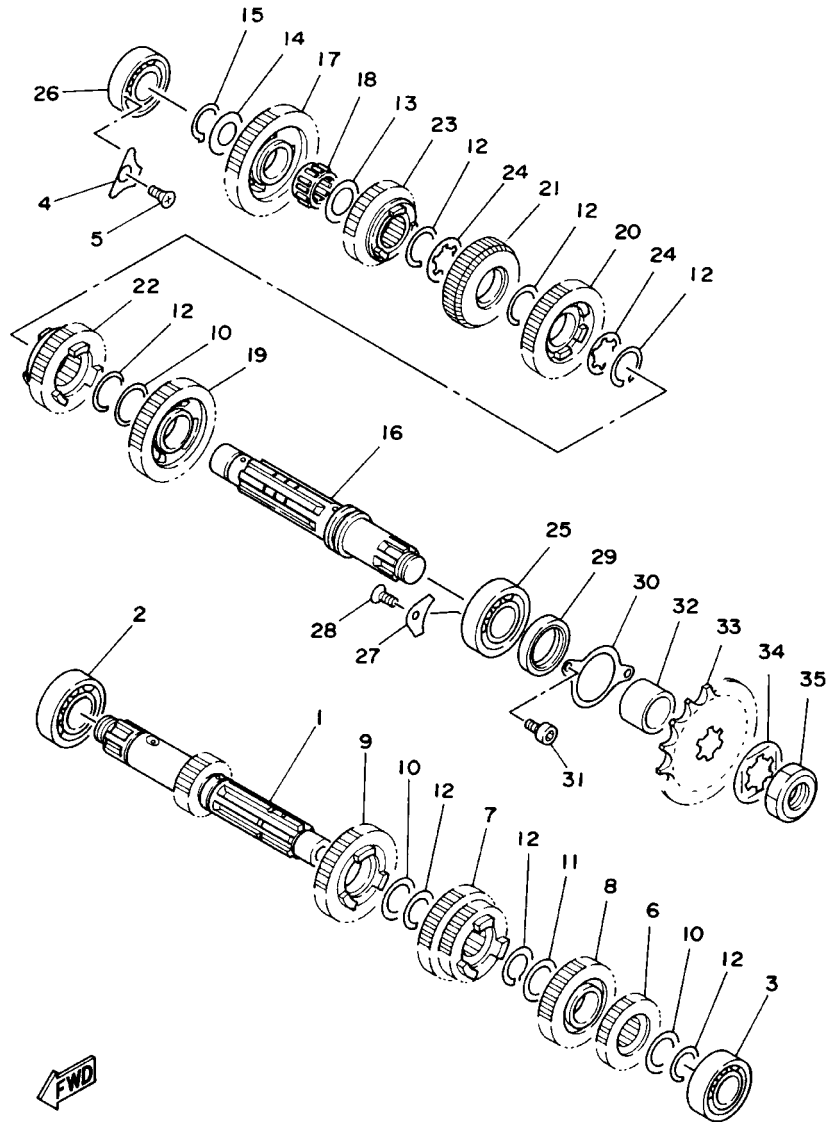
FIG. 12 TRANSMISSION



4DP2100-3121

REF. NO.	PART NO.	DESCRIPTION	USA	EUR	OCE	JPN	REMARKS
1	5KE-17411-20	AXLE, MAIN (18T)	1	1	1	1	STD
	5KE-17411-10	AXLE, MAIN (14T)	1	1	1	1	AP
2	93306-20526	BEARING (B6205)	1	1	1	1	
3	93306-00442	BEARING	1	1	1	1	
4	5KE-15381-00	PLATE, BEARING COVER	1	1	1	1	
5	90151-06001	SCREW, COUNTERSUNK	1	1	1	1	
6	4DP-17121-11	GEAR, 2ND PINION (21T)	1	1	1	1	
7	5KE-17131-00	GEAR, 3RD/4TH PINION (23T/25T)	1	1	1	1	STD
	5KE-17131-10	GEAR, 3RD/4TH PINION (21T/25T)	1	1	1	1	AP
8	5F7-17151-01	GEAR, 5TH PINION (27T)	1	1	1	1	
9	5KE-17161-00	GEAR, 6TH PINION (22T)	1	1	1	1	STD
	5KE-17161-10	GEAR, 6TH PINION (25T)	1	1	1	1	AP
10	90201-253K0	WASHER, PLATE (T=1.0)	3	3	3	3	UN
	90201-256E6	WASHER, PLATE (T=0.9)	3	3	3	3	UN
	90201-256E4	WASHER, PLATE (T=1.5)	1	1	1	1	
12	93440-25084	CIRCLIP	7	7	7	7	
13	90201-20276	WASHER, PLATE (1.0T)	1	1	1	1	
14	90201-20276	WASHER, PLATE (1.0T)	1	1	1	1	UN
	90201-206E5	WASHER, PLATE (0.9T)	1	1	1	1	UN
15	99009-20400	CIRCLIP	1	1	1	1	
16	5KE-17421-00	AXLE, DRIVE	1	1	1	1	
17	5KE-17211-20	GEAR, 1ST WHEEL (34T)	1	1	1	1	STD
	5KE-17211-10	GEAR, 1ST WHEEL (28T)	1	1	1	1	AP
18	93310-22057	BEARING (K20-24X10 S)	1	1	1	1	
19	4DP-17221-11	GEAR, 2ND WHEEL (31T)	1	1	1	1	
20	5KE-17231-00	GEAR, 3RD WHEEL (29T)	1	1	1	1	STD
	5KE-17231-10	GEAR, 3RD WHEEL (26T)	1	1	1	1	AP

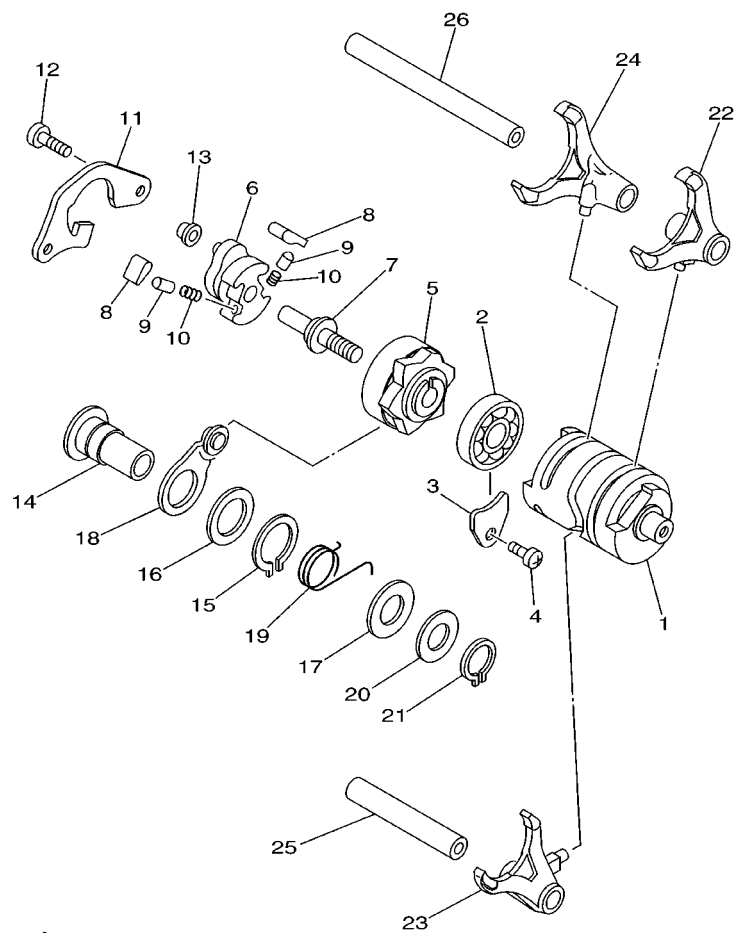
FIG. 12 TRANSMISSION



4DP2100-3121

REF. NO.	PART NO.	DESCRIPTION	USA	EUR	OCE	JPN	REMARKS
20	5KE-17231-20	GEAR, 3RD WHEEL (25T)	1	1	1	1	AP
21	5KE-17241-00	GEAR, 4TH WHEEL (27T)	1	1	1	1	
22	3YL-17251-00	GEAR, 5TH. WHEEL (26T)	1	1	1	1	
23	5KE-17261-00	GEAR, 6TH WHEEL (20T)	1	1	1	1	STD
	5KE-17261-10	GEAR, 6TH WHEEL (22T)	1	1	1	1	AP
24	5F7-17136-00	WASHER (0.7T)	2	2	2	2	UN
	90209-22082	WASHER (0.5T)	2	2	2	2	UN
25	93306-20574	BEARING	1	1	1	1	
26	93306-20470	BEARING	1	1	1	1	
27	4JT-15381-01	PLATE, BEARING COVER	1	1	1	1	
28	90151-06001	SCREW, COUNTERSUNK	1	1	1	1	
29	93102-32337	OIL SEAL	1	1	1	1	
30	3AK-17471-00	PLATE, COVER	1	1	1	1	
31	91317-05012	BOLT	2	2	2	2	
32	90387-25001	COLLAR	1	1	1	1	
33	93834-14178	SPROCKET, DRIVE (14T)	1	1	1	1	STD
	93834-15079	SPROCKET, DRIVE (15T)	1	1	1	1	AP
	93834-16104	SPROCKET, DRIVE (16T)	1	1	1	1	AP
34	90215-21121	WASHER, LOCK	1	1	1	1	
35	90179-20255	NUT	1	1	1	1	

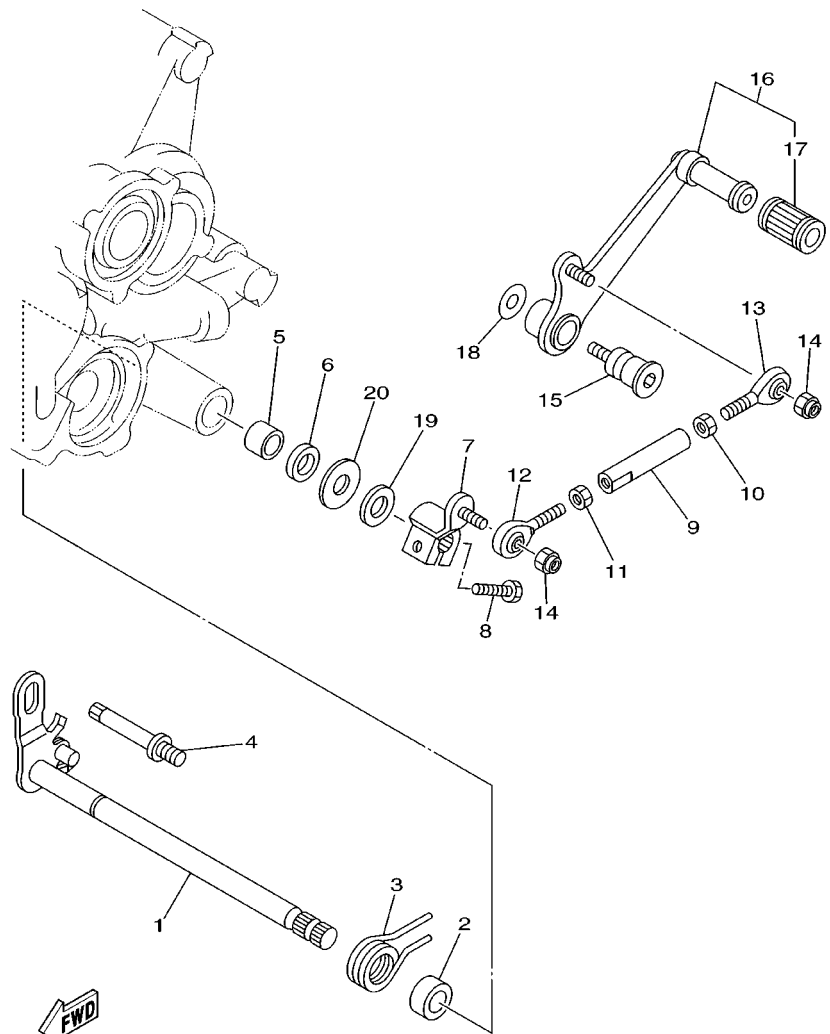
FIG. 13 SHIFT CAM. FORK



5KE1100-0130

REF. NO.	PART NO.	DESCRIPTION	USA	EUR	OCE	JPN	REMARKS
1	5KE-18541-00	CAM, SHIFT	1	1	1	1	
2	93306-90302	BEARING	1	1	1	1	
3	3XV-18562-00	PLATE, STOPPER 2	1	1	1	1	
4	90157-05004	SCREW, PAN HEAD	1	1	1	1	
5	3YL-18185-00	SEGMENT	1	1	1	1	
6	3XV-18122-00	LEVER, SHIFT 2	1	1	1	1	
7	3XV-18173-00	PIN, SHIFT	1	1	1	1	
8	3YL-18182-00	PAWL, SHIFTER	2	2	2	2	
9	3YL-18184-00	PIN, PAWL	2	2	2	2	
10	90501-052G5	SPRING, COMPRESSION	2	2	2	2	
11	5KE-18172-00	GUIDE, SHIFT	1	1	1	1	
12	91318-06014	BOLT	2	2	2	2	
13	3XJ-18178-00	ROLLER, SHIFT LEVER	1	1	1	1	
14	90387-127V3	COLLAR	1	1	1	1	
15	99009-17400	CIRCLIP	1	1	1	1	
16	90201-177G4	WASHER, PLATE	1	1	1	1	
17	90201-154E8	WASHER, PLATE (1.0T)	1	1	1	1	
18	3XV-18140-00	STOPPER LEVER ASSY	1	1	1	1	
19	90508-231A5	SPRING, TORSION	1	1	1	1	
20	90201-127E1	WASHER, PLATE	1	1	1	1	
21	99009-12400	CIRCLIP	1	1	1	1	
22	5KE-18511-00	FORK, SHIFT 1	1	1	1	1	
23	5KE-18512-00	FORK, SHIFT 2	1	1	1	1	
24	5KE-18513-00	FORK, SHIFT 3	1	1	1	1	
25	3XV-18531-00	BAR, SHIFT FORK GUIDE 1	1	1	1	1	
26	5KE-18535-00	BAR, SHIFT FORK GUIDE 2	1	1	1	1	

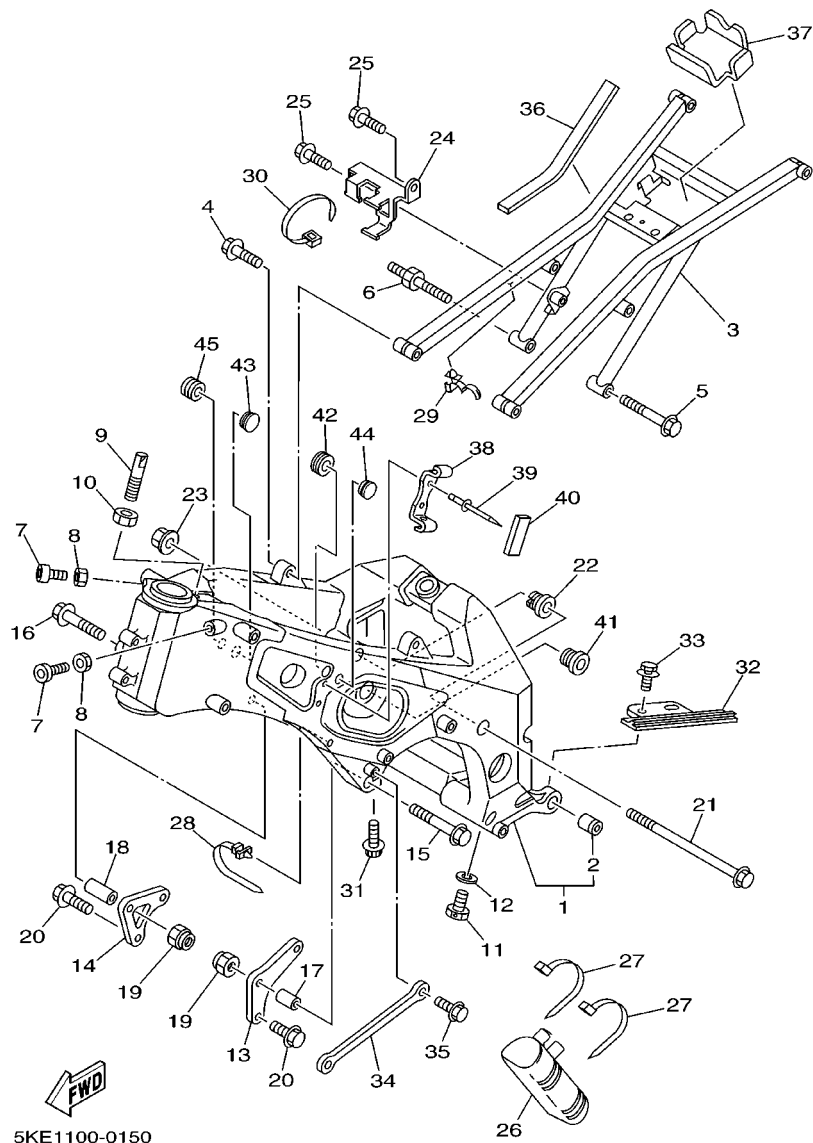
FIG. 14 SHIFT SHAFT



5KE1100-0140

REF. NO.	PART NO.	DESCRIPTION	USA	EUR	OCE	JPN	REMARKS
1	5KE-18101-00	SHIFT SHAFT ASSY	1	1	1	1	
2	90560-12361	SPACER	1	1	1	1	
3	90508-29742	SPRING, TORSION	1	1	1	1	
4	3MA-18127-00	STOPPER, SCREW	1	1	1	1	
5	90383-12013	BUSH, FORMED	1	1	1	1	
6	93109-12012	OIL SEAL	1	1	1	1	
7	4DP-18112-00	ARM, SHIFT	1	1	1	1	
8	97017-06020	BOLT	1	1	1	1	
9	5F7-18115-00	ROD, SHIFT	1	1	1	1	
10	90170-06228	NUT(COUNTER CLOCKWISE)	1	1	1	1	
11	95304-06700	NUT	1	1	1	1	
12	3TC-18116-00	JOINT, ROD 1	1	1	1	1	
13	3TC-18117-00	JOINT, ROD 2	1	1	1	1	
14	95607-06100	NUT, U	2	2	2	2	
15	90109-087F6	BOLT	1	1	1	1	
16	4DP-18110-00	SHIFT PEDAL ASSY	1	1	1	1	
17	3FV-18113-00	.COVER, SHIFT PEDAL	1	1	1	1	
18	90201-087F0	WASHER, PLATE	1	1	1	1	
19	90560-12075	SPACER	1	1	1	1	
20	90201-12588	WASHER, PLATE	1	1	1	1	

FIG. 15 FRAME



5KE1100-0150

REF. NO.	PART NO.	DESCRIPTION	USA	EUR	OCE	JPN	REMARKS
1	5KE-21110-00	FRAME COMP.	1	1	1	1	
2	36Y-27414-00	.DAMPER, FOOTREST	1	1	1	1	
3	4TW-21190-02	REAR FRAME COMP.	1	1	1	1	
4	95027-06025	BOLT, FLANGE	2	2	2	2	
5	95027-06045	BOLT, FLANGE	1	1	1	1	
6	4TW-2171V-00	BOLT	1	1	1	1	
7	91317-06020	BOLT	2	2	2	2	
8	95307-06600	NUT	2	2	2	2	
9	4TW-2134T-00	BOLT, TANK FITTING	1	1	1	1	
10	95307-08700	NUT	1	1	1	1	
11	90338-06041	PLUG	2	2	2	2	
12	90430-06166	GASKET	2	2	2	2	
13	5KE-21411-00	BRACKET, ENGINE 1	1	1	1	1	
14	5KE-21419-00	BRACKET, ENGINE 2	1	1	1	1	
15	95827-10045	BOLT, FLANGE	1	1	1	1	
16	95827-10060	BOLT, FLANGE	1	1	1	1	
17	5KE-2119R-00	SLEEVE	1	1	1	1	
18	5KE-2119T-00	SLEEVE 2	1	1	1	1	
19	95607-10200	NUT, SELF-LOCKING	2	2	2	2	
20	95027-08020	BOLT, FLANGE	4	4	4	4	
21	90105-10300	BOLT, WASHER BASED	2	2	2	2	
22	4JT-21495-10	BOLT, ENGINE ADJUSTING	2	2	2	2	
23	90179-10696	NUT	2	2	2	2	
24	5KE-2134V-00	BRACKET	1	1	1	1	
25	95027-06012	BOLT, FLANGE	2	2	2	2	
26	3YL-21751-00	TANK, OIL	1	1	1	1	
27	90465-13275	CLAMP	2	2	2	2	

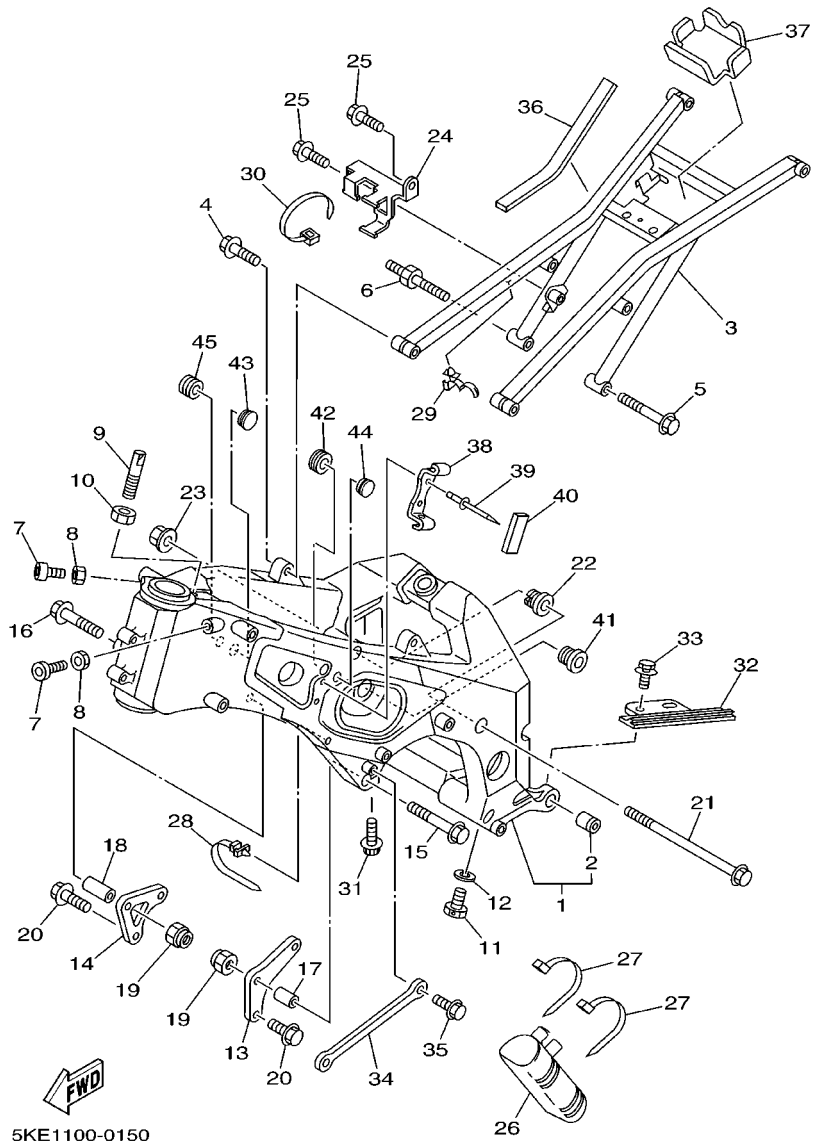
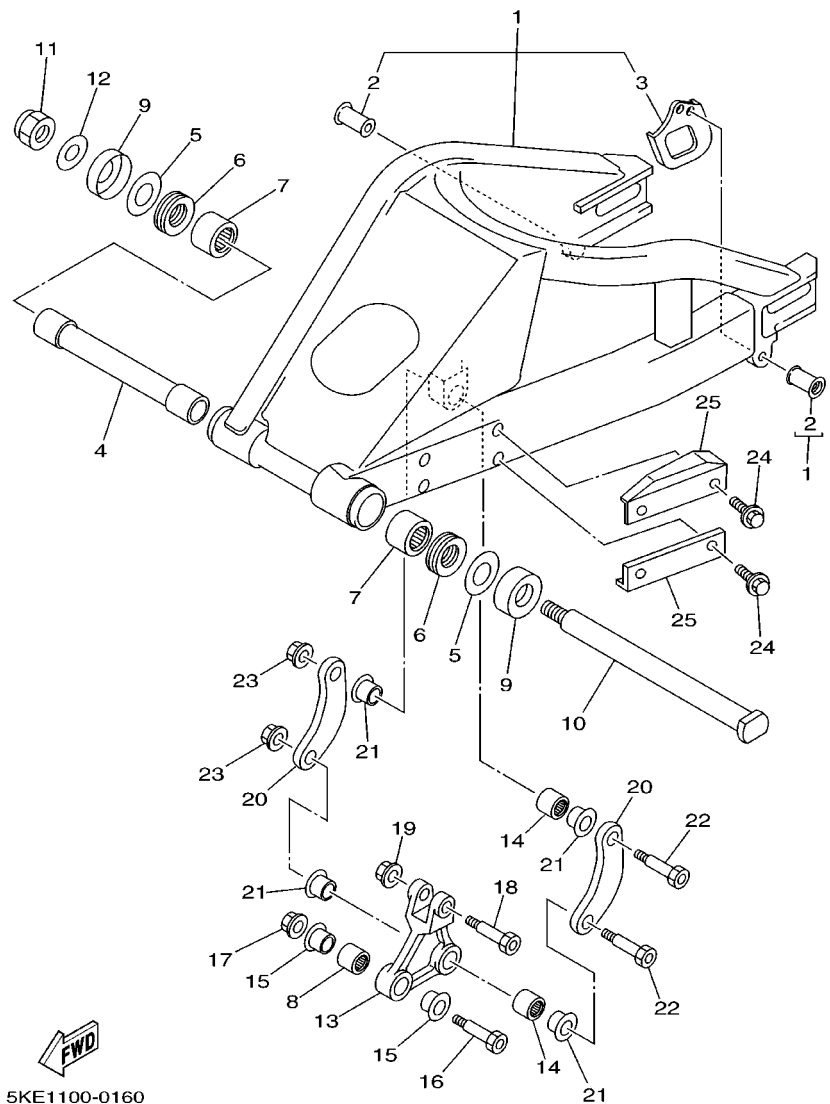


FIG. 15 FRAME

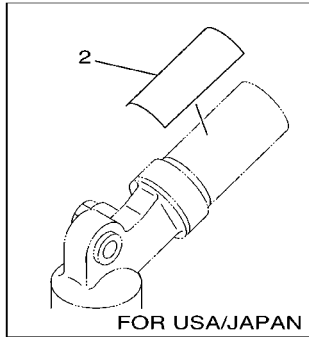
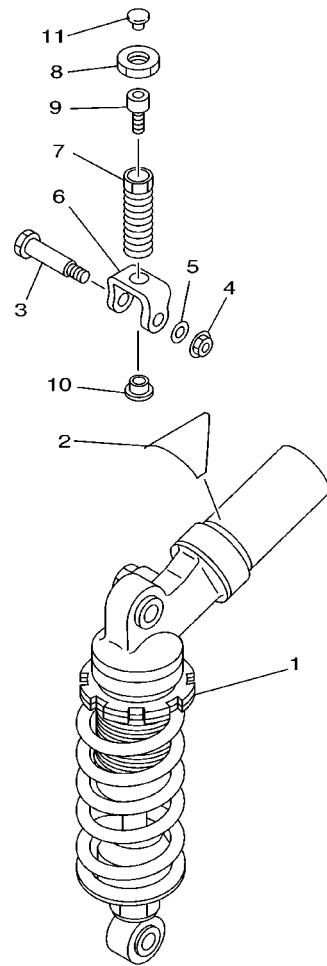
REF. NO.	PART NO.	DESCRIPTION	USA	EUR	OCE	JPN	REMARKS
28	90464-12089	CLAMP	2	2	2	2	
29	90464-18246	CLAMP	3	3	3	3	
30	90465-13152	CLAMP	1	1	1	1	
31	90109-067E6	BOLT	2	2	2	2	
32	4TW-22151-00	SEAL, GUARD	1	1	1	1	
33	90119-05239	BOLT, WITH WASHER	2	2	2	2	
34	4TW-2117A-00	STAY	1	1	1	1	
35	95027-06012	BOLT, FLANGE	1	1	1	1	
36	1KT-82122-00	SEAT, BATTERY	2	2	2	2	
37	5KE-21747-00	DAMPER	1	1	1	1	
38	5KE-2139V-00	HOOK	1	1	1	1	
39	90267-32018	RIVET, BLIND	2	2	2	2	
40	50M-21638-00	DAMPER 1	1	1	1	1	
41	4DP-21495-00	BOLT, ENGINE ADJUSTING	1	1	1	1	
42	90480-18276	GROMMET	1	1	1	1	
43	90338-18266	PLUG	1	1	1	1	
44	90480-14153	GROMMET	1	1	1	1	
45	90480-14585	GROMMET	1	1	1	1	

FIG. 16 REAR ARM



REF. NO.	PART NO.	DESCRIPTION	USA	EUR	OCE	JPN	REMARKS
1	4TW-22110-02	REAR ARM COMP.	1	1	1	1	
2	4JT-2216F-10	.HOOK	2	2	2	2	
3	4TW-22187-10	.GUIDE, CHAIN	1	1	1	1	
4	3XV-22184-00	BUSH	1	1	1	1	
5	1X2-22127-00	SHIM	2	2	2	2	UN
6	93342-22516	BEARING	2	2	2	2	
7	93315-42523	BEARING	2	2	2	2	
8	93320-21507	BEARING	1	1	1	1	
9	3FV-22128-00	COVER, THRUST 1	2	2	2	2	
10	3MA-22141-01	SHAFT, PIVOT	1	1	1	1	
11	90185-18104	NUT, SELF-LOCKING	1	1	1	1	
12	92907-18200	WASHER	1	1	1	1	
13	5KE-2217A-00	ARM, RELAY	1	1	1	1	
14	93320-21507	BEARING	2	2	2	2	
15	90387-124Y8	COLLAR	2	2	2	2	
16	90101-10709	BOLT	1	1	1	1	
17	95607-10200	NUT, SELF-LOCKING	1	1	1	1	
18	90101-10709	BOLT	1	1	1	1	
19	95607-10200	NUT, SELF-LOCKING	1	1	1	1	
20	5KE-2217F-00	ROD, CONNECTING 1	2	2	2	2	
21	90387-124Y8	COLLAR	4	4	4	4	
22	90101-10709	BOLT	2	2	2	2	
23	95607-10200	NUT, SELF-LOCKING	2	2	2	2	
24	90119-06227	BOLT, WITH WASHER	4	4	4	4	
25	4TW-22147-00	PROTECTOR, CHAIN	2	2	2	2	

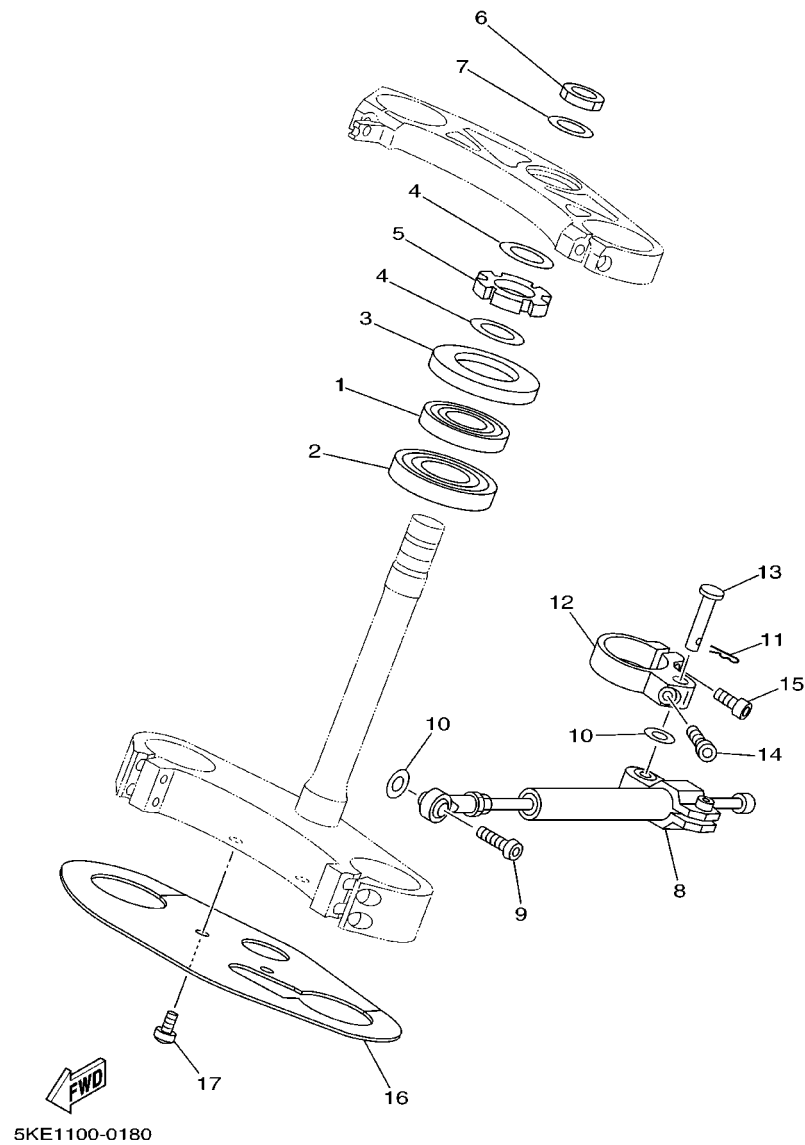
FIG. 17 REAR SUSPENSION



REF. NO.	PART NO.	DESCRIPTION	USA	EUR	OCE	JPN	REMARKS
1	5KE-22210-00	SHOCK ABSORBER ASSY, REAR	1	1	1	1	
2	4AA-22259-00	LABEL, WARNING	1				
	4AA-22259-40	LABEL, WARNING			1	1	
	4AA-22259-50	LABEL, WARNING				1	
3	90101-10709	BOLT	1	1	1	1	
4	95607-10200	NUT, SELF-LOCKING	1	1	1	1	
5	90201-127J6	WASHER, PLATE	1	1	1	1	
6	4JT-22219-00	BRACKET, UPPER	1	1	1	1	
7	4JT-22239-00	ADJUSTER	1	1	1	1	
8	1RK-22251-00	NUT 1	1	1	1	1	
9	91317-10016	BOLT	1	1	1	1	
10	3AK-22252-00	NUT	1	1	1	1	
11	90480-14153	GROMMET	1	1	1	1	

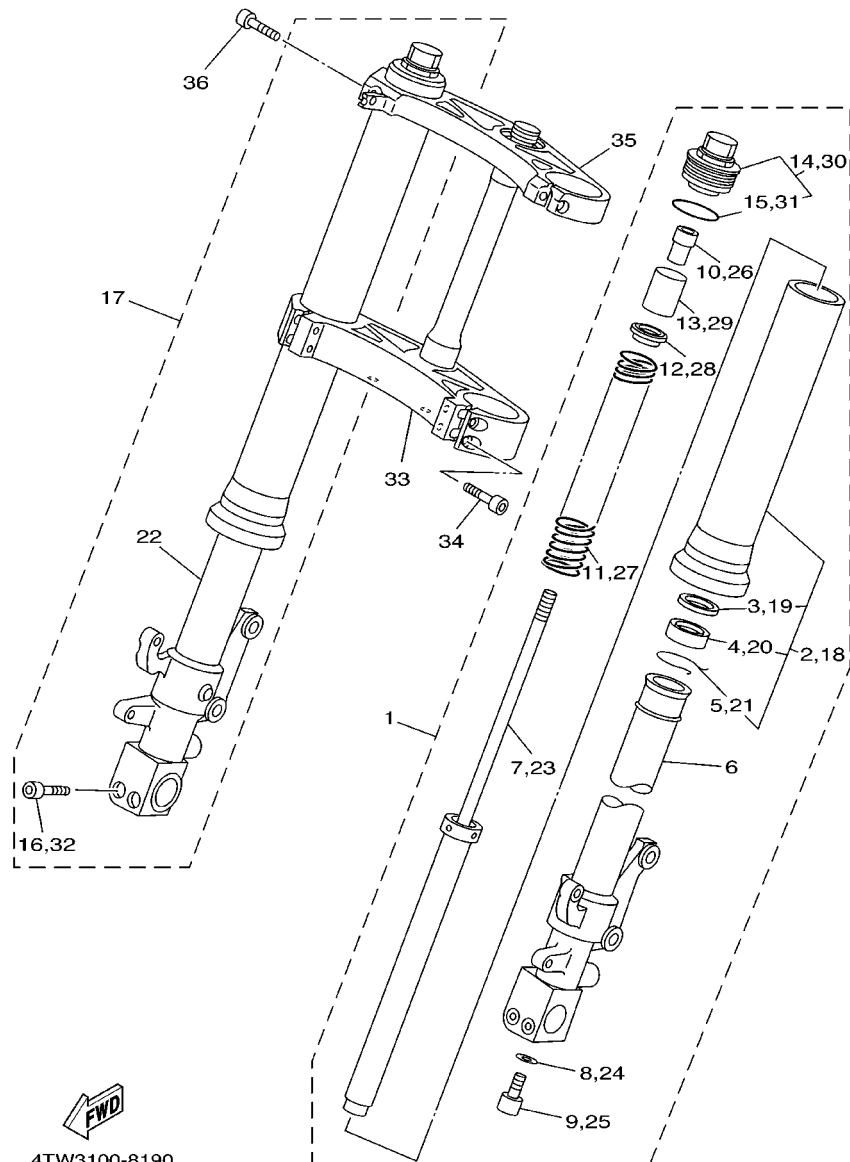

4TW4100-9170

FIG. 18 STEERING



REF. NO.	PART NO.	DESCRIPTION	USA	EUR	OCE	JPN	REMARKS
1	93332-00001	BEARING	1	1	1	1	
2	93332-00081	BEARING	1	1	1	1	
3	1J7-23415-00	COVER, BALL RACE 1	1	1	1	1	
4	90201-25526	WASHER, PLATE (T2.0)	2	2	2	2	
5	90179-25033	NUT	1	1	1	1	
6	1RK-22251-00	NUT 1	1	1	1	1	
7	90201-225A4	WASHER, PLATE (T=1.0)	1	1	1	1	
8	5KE-23490-00	HANDLEBAR SHIMMY DAMPER ASSY	1	1	1	1	
9	92017-08025	BOLT, BUTTON HEAD	1	1	1	1	
10	90201-08455	WASHER, PLATE	2	2	2	2	
11	90468-16099	CLIP	1	1	1	1	
12	5KE-23495-00	STAY, DAMPER	1	1	1	1	
13	91701-08038	PIN, CLEVIS	1	1	1	1	
14	91317-05016	BOLT	1	1	1	1	
15	91317-06020	BOLT	1	1	1	1	
16	5KE-21552-00	FENDER, INNER	1	1	1	1	
17	98907-06010	SCREW, BIND	2	2	2	2	

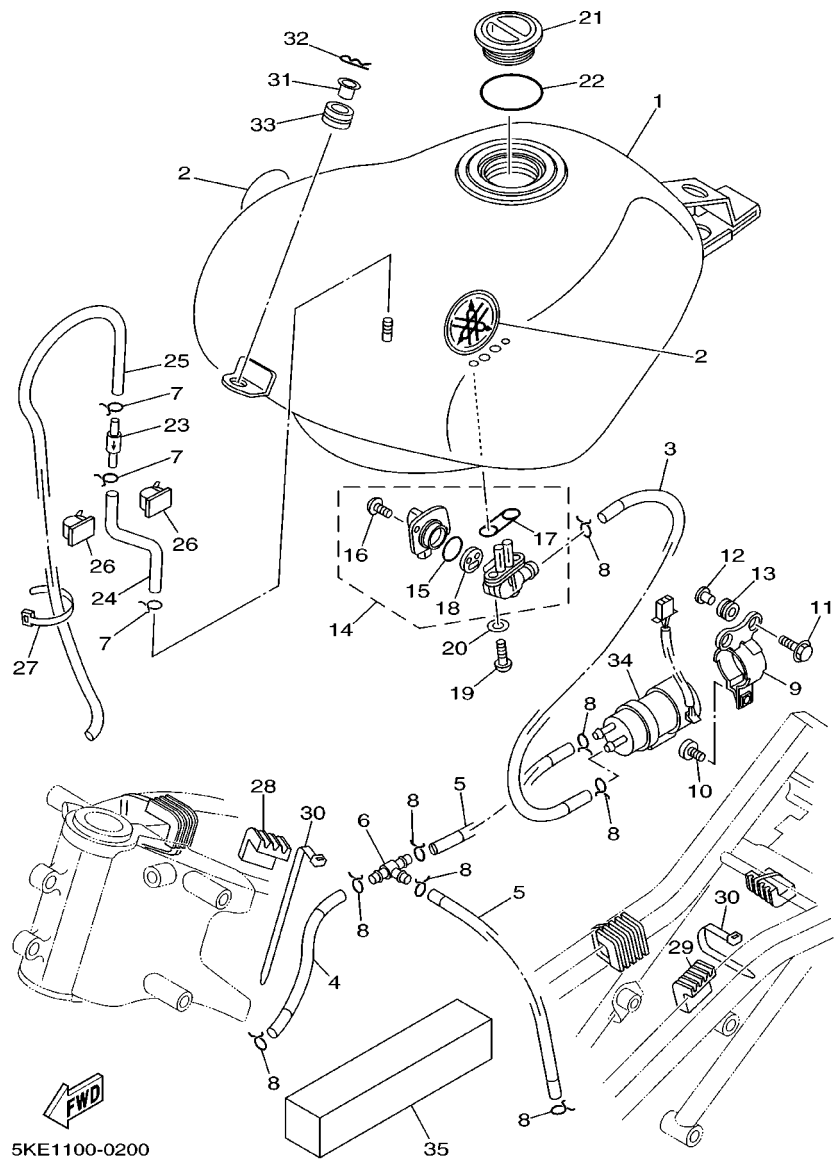
FIG. 19 FRONT FORK



FWD
4TW3100-8190

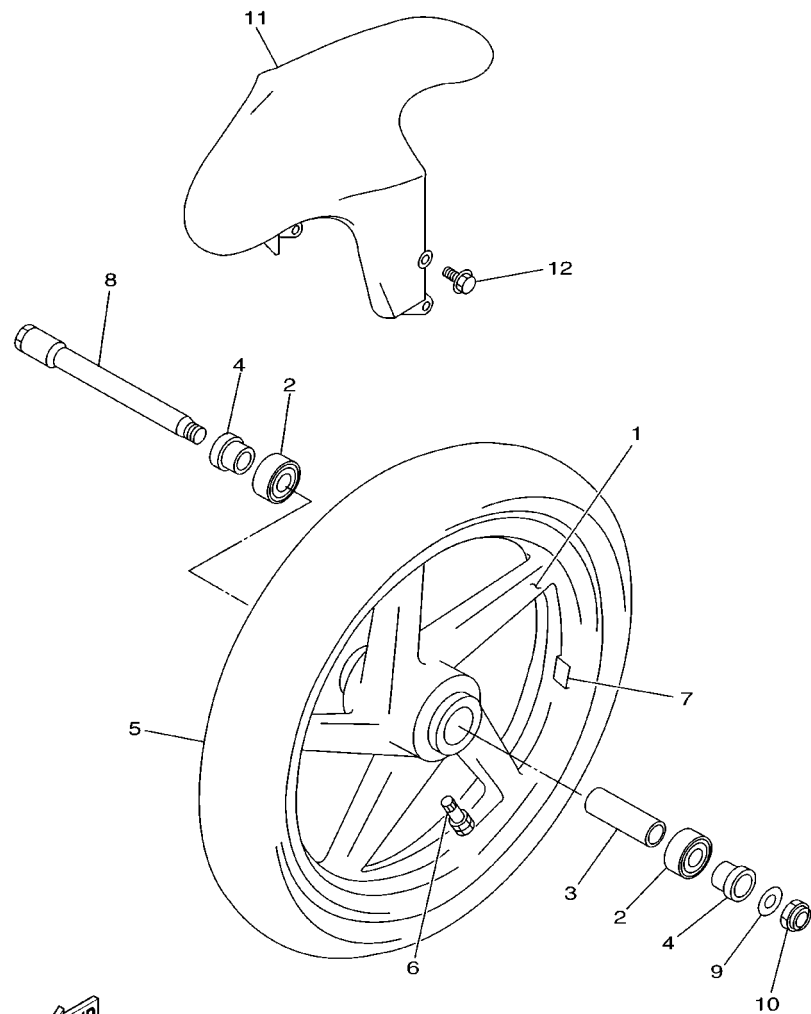
REF. NO.	PART NO.	DESCRIPTION	USA	EUR	OCE	JPN	REMARKS
1	5KE-23102-00	FRONT FORK ASSY (L.H)	1	1	1	1	
2	5KE-23136-00	.TUBE, OUTER (RIGHT)	1	1	1	1	
3	36Y-23146-10	..WASHER, OIL SEAL	1	1	1	1	
4	3JD-23145-L0	..OIL SEAL	1	1	1	1	
5	26H-23156-00	..CLIP, OIL SEAL	1	1	1	1	
6	5KE-23110-00	.INNER TUBE COMP.1	1	1	1	1	
7	5KE-23170-00	.CYLINDER COMP., FRONT FORK	1	1	1	1	
8	2K8-23158-L0	.GASKET	1	1	1	1	
9	3LC-23181-00	.BOLT, HEXAGON SOCKET HEAD	1	1	1	1	
10	4TW-23357-10	.NUT	1	1	1	1	
11	3YL-23141-00	.SPRING, FRONT FORK	1	1	1	1	
12	4TW-23142-10	.SEAT, SPRING UPPER	1	1	1	1	
13	4TW-23118-10	.SPACER	1	1	1	1	
14	4TW-23111-10	.BOLT, CAP	1	1	1	1	
15	3SP-23147-M0	..O-RING	1	1	1	1	
16	91311-06040	.BOLT	2	2	2	2	
17	5KE-23103-00	FRONT FORK ASSY (R.H)	1	1	1	1	
18	5KE-23136-00	.TUBE, OUTER (RIGHT)	1	1	1	1	
19	36Y-23146-10	..WASHER, OIL SEAL	1	1	1	1	
20	3JD-23145-L0	..OIL SEAL	1	1	1	1	
21	26H-23156-00	..CLIP, OIL SEAL	1	1	1	1	
22	5KE-23120-00	.INNER TUBE COMP.2	1	1	1	1	
23	5KE-23170-00	.CYLINDER COMP., FRONT FORK	1	1	1	1	
24	2K8-23158-L0	.GASKET	1	1	1	1	
25	3LC-23181-00	.BOLT, HEXAGON SOCKET HEAD	1	1	1	1	
26	4TW-23357-10	.NUT	1	1	1	1	
27	3YL-23141-00	.SPRING, FRONT FORK	1	1	1	1	

FIG. 20 FUEL TANK



REF. NO.	PART NO.	DESCRIPTION	USA	EUR	OCE	JPN	REMARKS
1	5KE-24110-00-36	FUEL TANK COMP.	1	1	1	1	WW
2	5KE-2411B-00	EMBLEM	2	2	2	2	
3	5KE-24311-00	PIPE, FUEL 1	1	1	1	1	
4	5KE-24312-00	PIPE 2	1	1	1	1	
5	5KE-24313-00	PIPE 3	2	2	2	2	
6	1X2-24376-00	JOINT, FUEL PIPE	1	1	1	1	
7	90467-09006	CLIP	3	3	3	3	
8	90467-10008	CLIP	8	8	8	8	
9	3CV-24491-10	BRACKET, FUEL PUMP	1	1	1	1	
10	98907-05008	SCREW, BIND	1	1	1	1	
11	90119-06096	BOLT, WITH WASHER	2	2	2	2	
12	90387-06737	COLLAR	2	2	2	2	
13	90480-13163	GROMMET	2	2	2	2	
14	4JT-24500-00	FUEL COCK ASSY 1	1	1	1	1	
15	3AJ-24534-00	.SEAL, COCK	1	1	1	1	
16	97801-03008	.SCREW, PAN HEAD	2	2	2	2	
17	4X8-24512-00	.O-RING	1	1	1	1	
18	3AJ-24523-00	.VALVE PACKING	1	1	1	1	
19	90149-06011	SCREW	2	2	2	2	
20	90202-05193	WASHER, PLATE	2	2	2	2	
21	4JT-24611-00	BODY, CAP	1	1	1	1	
22	4JT-24612-00	GASKET, CAP	1	1	1	1	
23	3XJ-24380-00	PIPE JOINT ASSY	1	1	1	1	
24	91A20-05020	TUBE, FLEXIBLE VINYL	1	1	1	1	
25	91A20-05065	TUBE, FLEXIBLE VINYL	1	1	1	1	
26	90464-25160	CLAMP	2	2	2	2	
27	90465-13152	CLAMP	1	1	1	1	

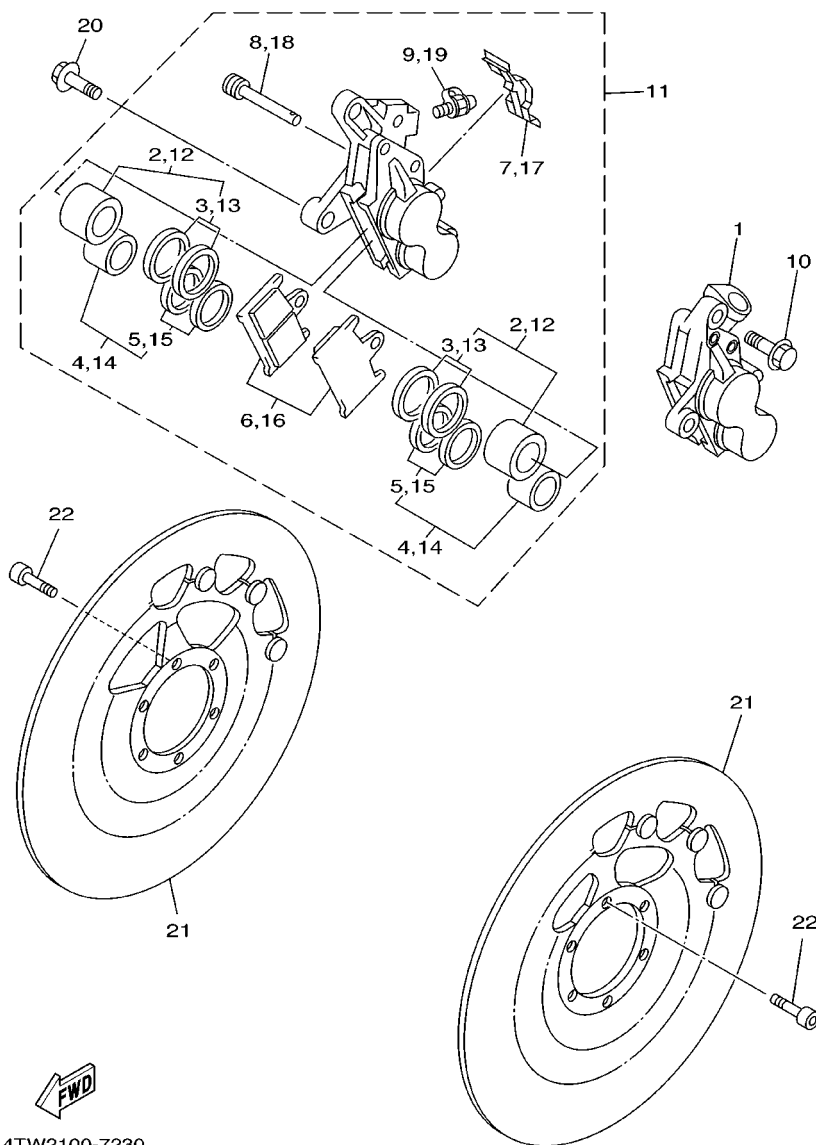
FIG. 22 FRONT WHEEL



4TW1100-6220

REF. NO.	PART NO.	DESCRIPTION	USA	EUR	OCE	JPN	REMARKS
1	4TW-25168-00	CAST WHEEL, FRONT	1	1	1	1	
2	93306-00521	BEARING	2	2	2	2	
3	4TW-25117-00	SPACER, BEARING	1	1	1	1	
4	4TW-25183-00	COLLAR, WHEEL	2	2	2	2	
5	94131-1709C	TIRE (3.10/4.80 R17 KR106)	1	1	1	1	DUNLOP
6	93900-00031	VALVE, RIM	1	1	1	1	
7	4TW-25398-00	BALANCER, WHEEL	1	1	1	1	UN
8	4DP-25181-10	AXLE, WHEEL	1	1	1	1	
9	90201-183E1	WASHER, PLATE	1	1	1	1	
10	90185-18104	NUT, SELF-LOCKING	1	1	1	1	
11	4TW-21510-00	FRONT FENDER COMP.	1	1	1	1	
12	90150-06021	SCREW, ROUND HEAD	4	4	4	4	

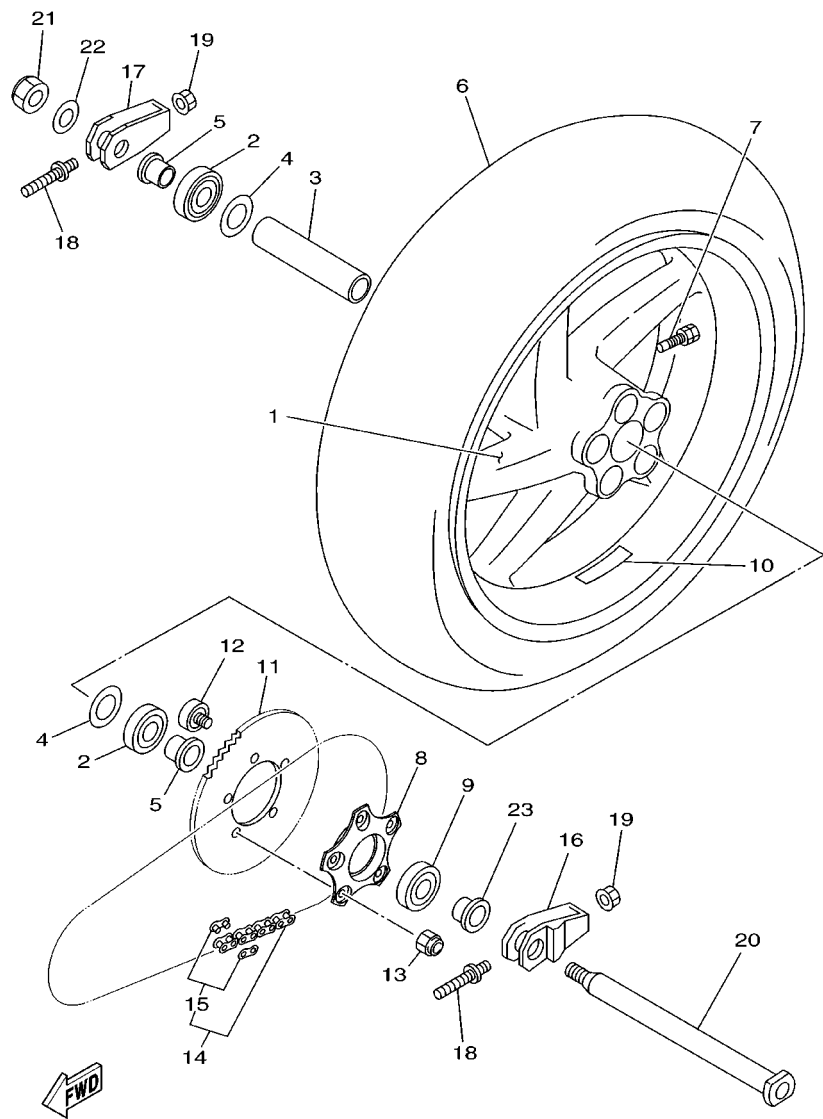
FIG. 23 FRONT BRAKE CALIPER



4TW2100-7230

REF. NO.	PART NO.	DESCRIPTION	USA	EUR	OCE	JPN	REMARKS
1	4TW-2580T-10	CALIPER ASSY (LEFT)	1	1	1	1	
2	4TW-W0057-00	.PISTON ASSY, CALIPER	1	1	1	1	
3	4TW-W0047-00	..CALIPER SEAL KIT	1	1	1	1	
4	4TW-W0057-10	.PISTON ASSY, CALIPER	1	1	1	1	
5	4TW-W0047-10	..CALIPER SEAL KIT	1	1	1	1	
6	4TW-W0045-10	.BRAKE PAD KIT	1	1	1	1	
7	3FV-25919-00	.SUPPORT, PAD	1	1	1	1	
8	3FV-25924-00	.PIN, PAD	1	1	1	1	
9	1UY-W0048-50	.BLEED SCREW KIT	1	1	1	1	
10	90105-105A7	BOLT, WASHER BASED	2	2	2	2	
11	4TW-2580U-10	CALIPER ASSY (RIGHT)	1	1	1	1	
12	4TW-W0057-00	.PISTON ASSY, CALIPER	1	1	1	1	
13	4TW-W0047-00	..CALIPER SEAL KIT	1	1	1	1	
14	4TW-W0057-10	.PISTON ASSY, CALIPER	1	1	1	1	
15	4TW-W0047-10	..CALIPER SEAL KIT	1	1	1	1	
16	4TW-W0045-10	.BRAKE PAD KIT	1	1	1	1	
17	3FV-25919-00	.SUPPORT, PAD	1	1	1	1	
18	3FV-25924-00	.PIN, PAD	1	1	1	1	
19	1UY-W0048-50	.BLEED SCREW KIT	1	1	1	1	
20	90105-105A7	BOLT, WASHER BASED	2	2	2	2	
21	4JT-2581T-00	DISC BRAKE ASSY	2	2	2	2	
22	90110-08193	BOLT, HEXAGON SOCKET HEAD	12	12	12	12	

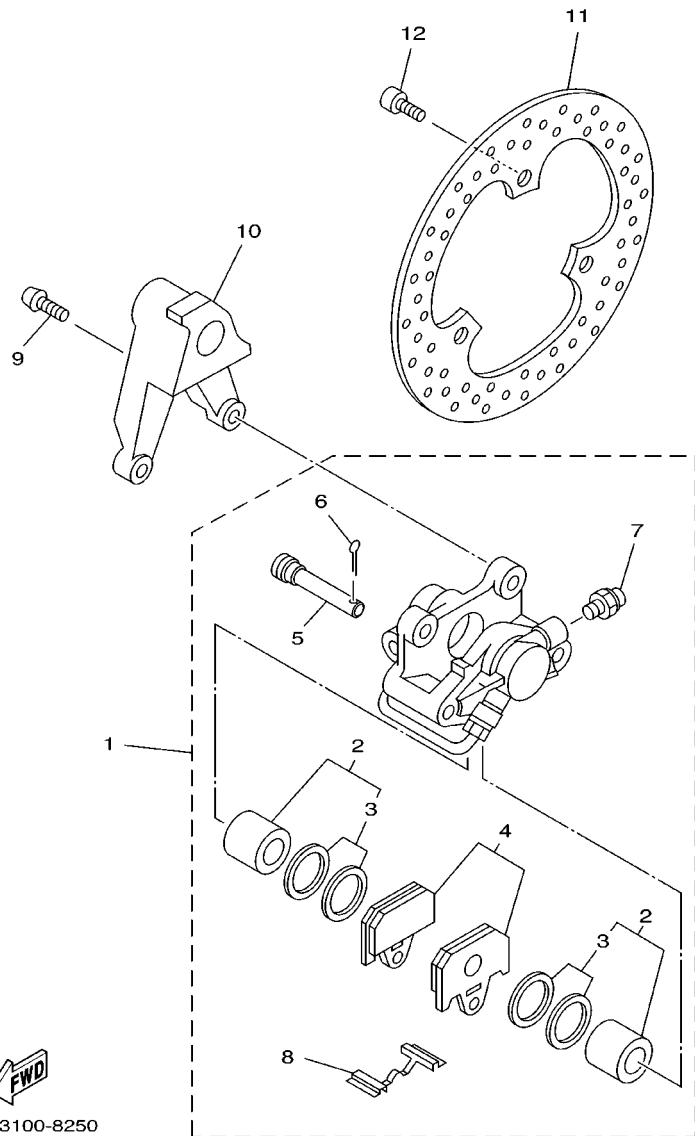
FIG. 24 REAR WHEEL



5KE1100-0240

REF. NO.	PART NO.	DESCRIPTION	USA	EUR	OCE	JPN	REMARKS
1	4TW-25338-00	CAST WHEEL, REAR	1	1	1	1	
2	93306-00521	BEARING	2	2	2	2	
3	4TW-25317-00	SPACER, BEARING	1	1	1	1	
4	4DP-2518A-00	PLATE, FITTING	2	2	2	2	
5	4TW-25383-00	COLLAR, WHEEL	2	2	2	2	
6	94116-1713M	TIRE (165/55 ZR17 KR108)	1	1	1	1	DUNLOP
7	93900-00031	VALVE, RIM	1	1	1	1	
8	5KE-25366-01	CLUTCH, HUB	1	1	1	1	
9	93306-07806	BEARING	1	1	1	1	
10	4TW-25398-00	BALANCER, WHEEL	1	1	1	1	UN
11	4TW-25436-02	SPROCKET, DRIVEN (36T)	1	1	1	1	STD
	4TW-25435-02	SPROCKET, DRIVEN (35T)	1	1	1	1	UR
	4TW-25437-02	SPROCKET, DRIVEN (37T)	1	1	1	1	UR
	4TW-25438-02	SPROCKET, DRIVEN (38T)	1	1	1	1	UR
	4TW-25439-02	SPROCKET, DRIVEN (39T)	1	1	1	1	UR
	4TW-25440-02	SPROCKET, DRIVEN (40T)	1	1	1	1	UR
12	3YL-25364-00	DAMPER	5	5	5	5	
13	90185-08162	NUT, SELF-LOCKING	5	5	5	5	
14	94561-62110	CHAIN (RKGB520TRU 110L)	1	1	1	1	STD
	94561-62114	CHAIN (RKGB520TRU 114L)	1	1	1	1	AP
15	94661-62031	JOINT, CHAIN	1	1	1	1	
16	4TW-25388-01	PULLER, CHAIN 1	1	1	1	1	
17	4TW-25389-01	PULLER, CHAIN 2	1	1	1	1	
18	4DP-25379-00	BOLT, CHAIN PULLAR	2	2	2	2	
19	90185-08097	NUT, SELF-LOCKING	2	2	2	2	
20	4TW-25381-00	AXLE, WHEEL	1	1	1	1	
21	90185-18104	NUT, SELF-LOCKING	1	1	1	1	

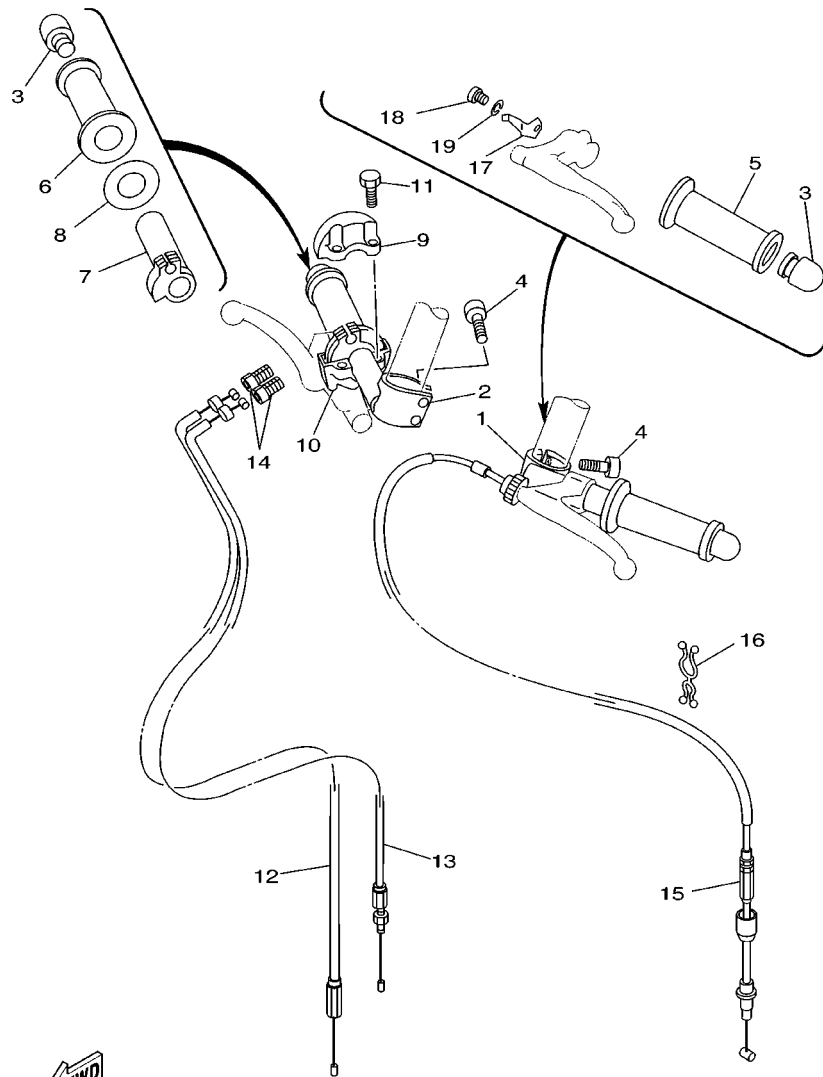
FIG. 25 REAR BRAKE CALIPER



4TW3100-8250

REF. NO.	PART NO.	DESCRIPTION	USA	EUR	OCE	JPN	REMARKS
1	4TW-2580W-01	CALIPER ASSY, REAR 2	1	1	1	1	
2	4DP-W0057-00	.PISTON ASSY, CALIPER	1	1	1	1	
3	3LC-W0047-50	..CALIPER SEAL KIT	1	1	1	1	
4	4TW-W0046-00	.BRAKE PAD KIT 2	1	1	1	1	
5	4JT-25924-00	.PIN, PAD	1	1	1	1	
6	91401-16012	.PIN, COTTER	1	1	1	1	
7	1UY-W0048-50	.BLEED SCREW KIT	1	1	1	1	
8	5KE-25919-50	.SUPPORT, PAD	1	1	1	1	
9	92017-08020	BOLT, BUTTON HEAD	2	2	2	2	
10	4TW-25819-00	BRACKET, CALIPER	1	1	1	1	
11	4TW-2582W-00	DISC, REAR BRAKE 2	1	1	1	1	
12	90110-08193	BOLT, HEXAGON SOCKET HEAD	3	3	3	3	

FIG. 26 STEERING HANDLE. CABLE

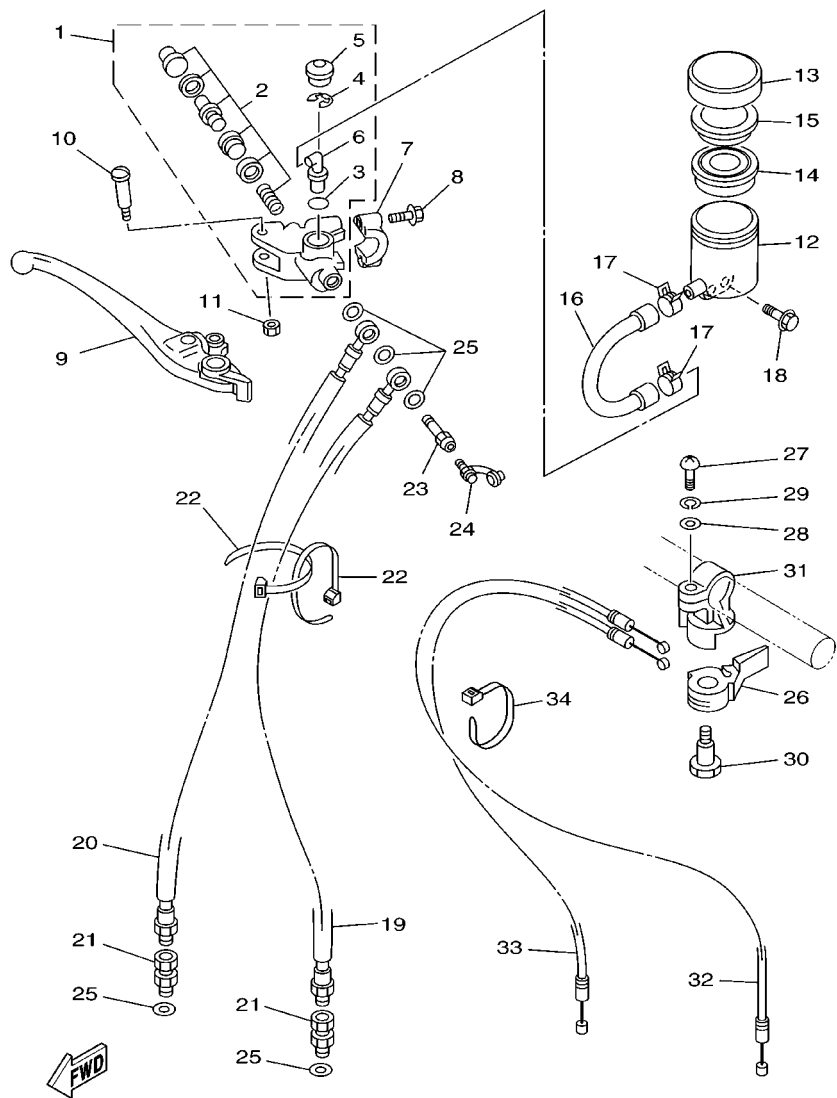


REF. NO.	PART NO.	DESCRIPTION	USA	EUR	OCE	JPN	REMARKS
1	3YL-26121-00	HANDLEBAR (LEFT)	1	1	1	1	
2	3YL-26122-01	HANDLEBAR (RIGHT)	1	1	1	1	
3	4JT-26246-00	END, GRIP	2	2	2	2	
4	91317-06025	BOLT	4	4	4	4	
5	47X-26241-00	GRIP (LEFT)	1	1	1	1	
6	47X-26242-00	GRIP (RIGHT)	1	1	1	1	
7	3YL-26243-00	TUBE, THROTTLE GUIDE	1	1	1	1	
8	3Y1-26249-00	RING, LEAF	1	1	1	1	
9	3YL-26281-01	CAP, GRIP UPPER	1	1	1	1	
10	3YL-26282-00	CAP, GRIP LOWER	1	1	1	1	
11	91317-05020	BOLT	2	2	2	2	
12	5KE-26311-00	CABLE, THROTTLE 1	1	1	1	1	
13	5KE-26312-00	CABLE, THROTTLE 2	1	1	1	1	
14	90123-06007	BOLT	2	2	2	2	
15	5KE-26335-00	CABLE, CLUTCH	1	1	1	1	
16	90464-16115	CLAMP	1	1	1	1	
17	5F6-26368-00	SPRING, LOCK	1	1	1	1	
18	98507-05008	SCREW, PAN HEAD	1	1	1	1	
19	92907-05100	WASHER, SPRING	1	1	1	1	



4TW3100-8260

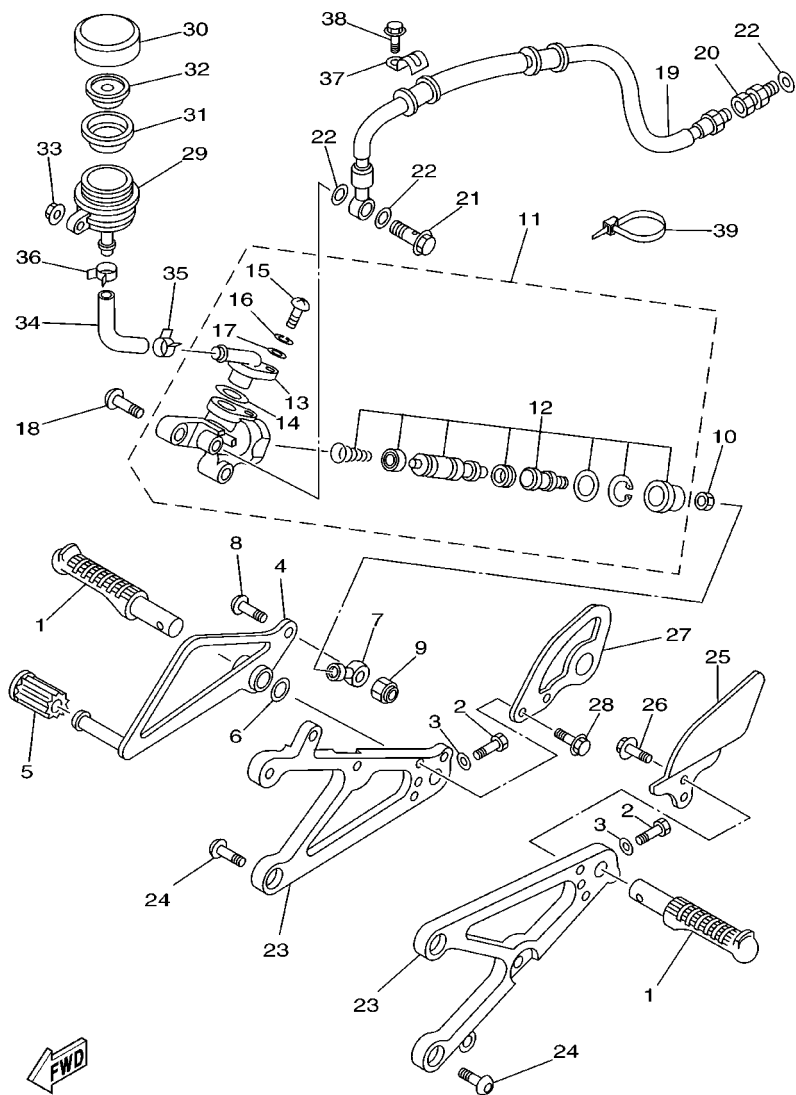
FIG. 27 FRONT MASTER CYLINDER



5KE1100-0270

REF. NO.	PART NO.	DESCRIPTION	USA	EUR	OCÉ	JPN	REMARKS
1	3FV-W2587-00	MASTER CYLINDER SUB ASSY	1	1	1	1	
2	4K0-W0041-50	.CYLINDER KIT, MASTER	1	1	1	1	
3	93210-15620	.O-RING	1	1	1	1	
4	2VN-25866-00	.CIRCLIP	1	1	1	1	
5	3FV-2589A-00	.COVER, DUST	1	1	1	1	
6	2VN-2582A-50	.JOINT	1	1	1	1	
7	56A-25867-00	BRACKET, MASTER CYLINDER	1	1	1	1	
8	95026-06025	BOLT, FLANGE	2	2	2	2	
9	4JT-83922-00	LEVER 2	1	1	1	1	
10	3FV-2589F-00	BOLT, LEVER	1	1	1	1	
11	95606-06100	NUT, U	1	1	1	1	
12	3FV-25894-00	TANK, RESERVOIR	1	1	1	1	
13	3FV-25852-00	CAP, RESERVOIR	1	1	1	1	
14	3FV-25854-00	DIAPHRAGM, RESERVOIR	1	1	1	1	
15	2J2-25855-50	BUSH,DIAPHRAGM	1	1	1	1	
16	3YL-2582F-00	HOSE	1	1	1	1	
17	3PA-24356-00	CLIP, PIPE 1	2	2	2	2	
18	95027-06014	BOLT, FLANGE	1	1	1	1	
19	4DP-25872-01	HOSE, BRAKE 1	1	1	1	1	
20	4TW-25873-01	HOSE, BRAKE 2	1	1	1	1	
21	3LC-25885-00	JOINT	2	2	2	2	
22	90465-13275	CLAMP	2	2	2	2	
23	90401-10174	BOLT, UNION	1	1	1	1	
24	36Y-W0048-00	BLEED SCREW KIT	1	1	1	1	
25	90201-10118	WASHER, PLATE	5	5	5	5	
26	240-83941-00	LEVER, STARTER	1	1	1	1	
27	98507-06018	SCREW, PAN HEAD	1	1	1	1	

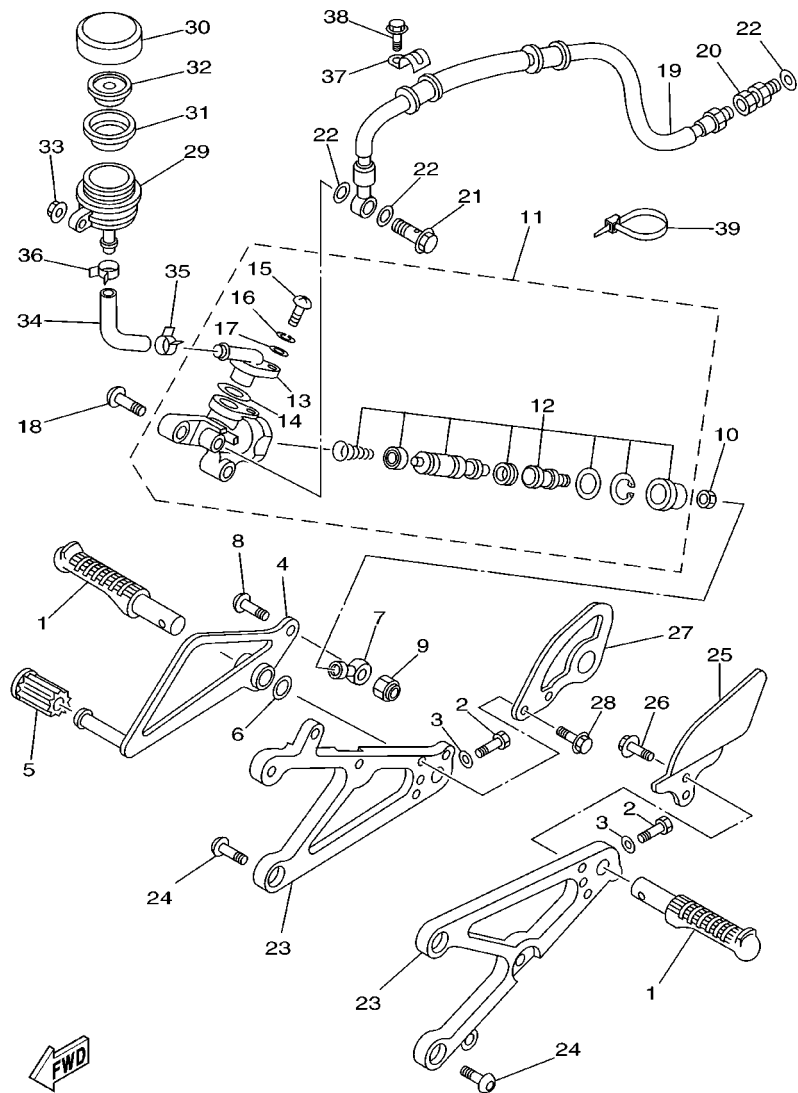
FIG. 28 STAND. FOOTREST



5KE1100-0280

REF. NO.	PART NO.	DESCRIPTION	USA	EUR	OCE	JPN	REMARKS
1	4JT-27411-20	FOOTREST 1	2	2	2	2	
2	97007-06020	BOLT	2	2	2	2	
3	92907-06600	WASHER, PLATE	2	2	2	2	
4	5KE-27211-00	PEDAL, BRAKE	1	1	1	1	
5	4A0-18113-00	COVER, SHIFT PEDAL	1	1	1	1	
6	90201-14212	WASHER, PLATE	1	1	1	1	
7	3YL-27222-00	JOINT	1	1	1	1	
8	92017-06020	BOLT, BUTTON HEAD	1	1	1	1	
9	95607-06100	NUT, U	1	1	1	1	
10	95307-06600	NUT	1	1	1	1	
11	3YL-2583V-00	RR. MASTER CYLINDER ASSY.	1	1	1	1	
12	3YL-W0042-50	.CYLINDER KIT, MASTER	1	1	1	1	
13	36Y-2582A-50	.JOINT	1	1	1	1	
14	93210-15620	.O-RING	1	1	1	1	
15	98511-04012	.SCREW, PAN HEAD	1	1	1	1	
16	92902-04100	.WASHER, SPRING	1	1	1	1	
17	92901-04600	.WASHER, PLATE	1	1	1	1	
18	92017-08025	BOLT, BUTTON HEAD	2	2	2	2	
19	4TW-25874-00	HOSE, BRAKE	1	1	1	1	
20	3LC-25885-00	JOINT	1	1	1	1	
21	90401-10168	BOLT, UNION	1	1	1	1	
22	90201-10118	WASHER, PLATE	3	3	3	3	
23	4JT-27412-20	BRACKET, FOOTREST 1	2	2	2	2	
24	92017-08020	BOLT, BUTTON HEAD	4	4	4	4	
25	4TW-27445-00	PLATE 1	1	1	1	1	
26	90119-05239	BOLT, WITH WASHER	2	2	2	2	
27	4TW-27264-00	BRACKET 2	1	1	1	1	

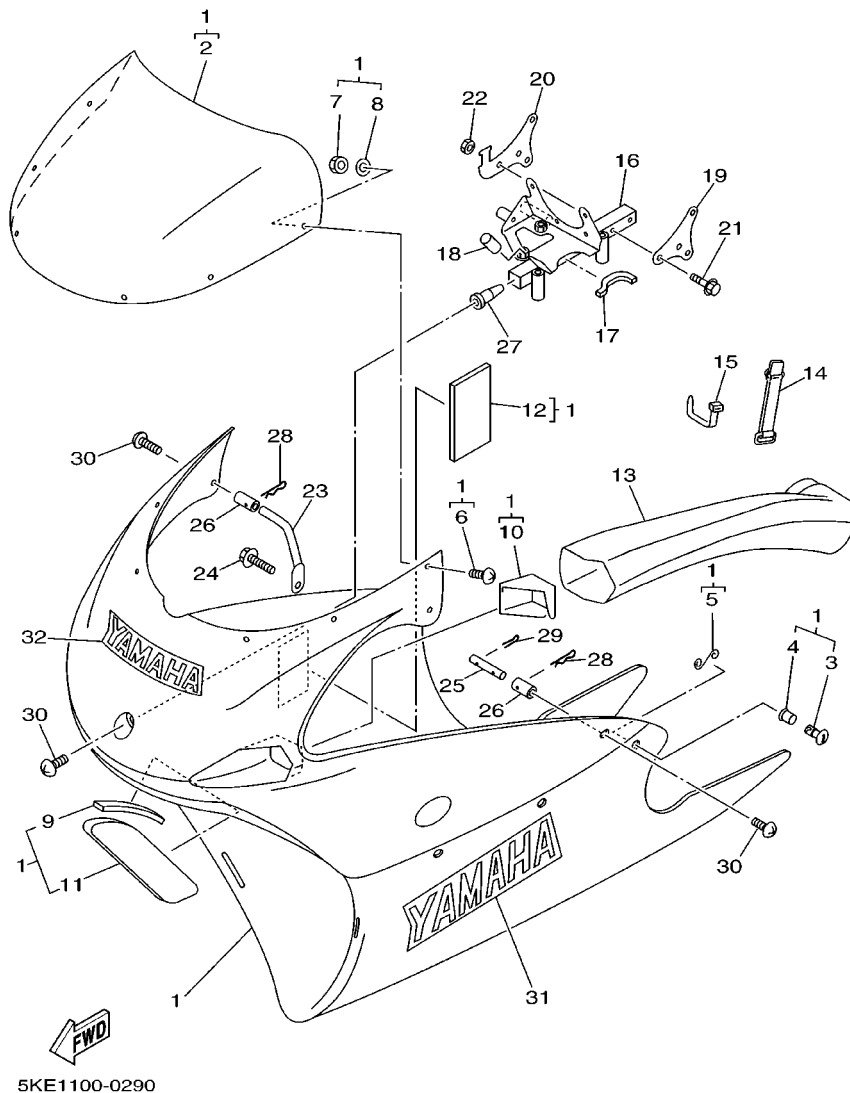
FIG. 28 STAND. FOOTREST



5KE1100-0280

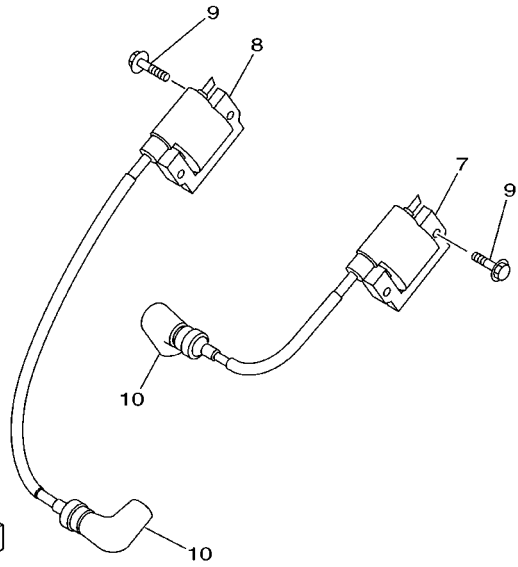
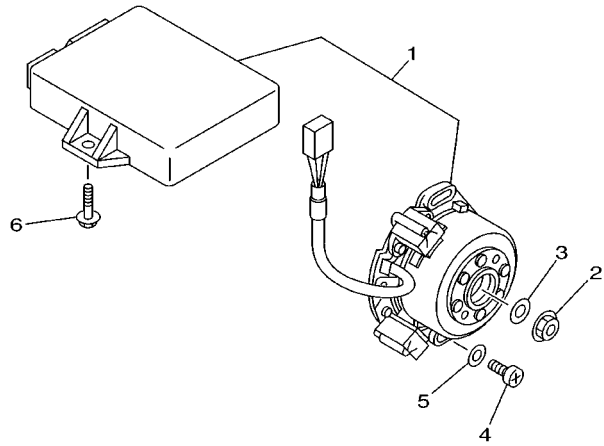
REF. NO.	PART NO.	DESCRIPTION	USA	EUR	OCE	JPN	REMARKS
28	90119-05239	BOLT, WITH WASHER	2	2	2	2	
29	4EW-25894-00	TANK, RESERVOIR	1	1	1	1	
30	3XP-25852-50	CAP, RESERVOIR	1	1	1	1	
31	2VN-25854-00	DIAPHRAGM, RESERVOIR	1	1	1	1	
32	2VN-25855-00	BUSH, DIAPHRAGM	1	1	1	1	
33	95607-06200	NUT, SELF U-FLANGE	1	1	1	1	
34	4TW-25895-00	HOSE, RESERVOIR	1	1	1	1	
35	90467-14057	CLIP	1	1	1	1	
36	90467-11044	CLIP	1	1	1	1	
37	3XV-25876-00	HOLDER, BRAKE HOSE 2	2	2	2	2	
38	95027-06016	BOLT, FLANGE	2	2	2	2	
39	90464-12089	CLAMP	2	2	2	2	

FIG. 29 COWLING 1



REF. NO.	PART NO.	DESCRIPTION	USA	EUR	OCE	JPN	REMARKS
1	5KE-28350-00	COWLING ASSY	1	1	1	1	
2	4TW-28381-10	.WINDSHIELD	1	1	1	1	
3	3YL-28386-00	.HEAD	5	5	5	5	
4	240-28389-00	.RIVET	5	5	5	5	
5	3YL-28388-00	.SPRING	5	5	5	5	
6	98907-04010	.SCREW, BIND	6	6	6	6	
7	95607-04100	.NUT, U	6	6	6	6	
8	92907-04200	.WASHER	6	6	6	6	
9	2TV-21638-00	.DAMPER 1	1	1	1	1	
10	4TW-28371-00	.DAMPER	1	1	1	1	
11	4TW-28371-10	.DAMPER	1	1	1	1	
12	3Y6-21747-00	.DAMPER	1	1	1	1	
13	5KE-2838N-00	DUCT 1	1	1	1	1	
14	18G-82131-00	BAND, BATTERY	1	1	1	1	
15	90465-10098	CLAMP	1	1	1	1	
16	5KE-28356-00	STAY 1	1	1	1	1	
17	5KE-28345-00	MOLE 1	1	1	1	1	
18	90446-17346	HOSE	1	1	1	1	
19	4DP-2836A-00	BRACKET 1	1	1	1	1	
20	4TW-2836E-00	BRACKET 2	1	1	1	1	
21	95027-06030	BOLT, FLANGE	4	4	4	4	
22	95617-06100	NUT, U	4	4	4	4	
23	4JT-28321-00	STAY 1	2	2	2	2	
24	95027-06014	BOLT, FLANGE	2	2	2	2	
25	3YL-28358-00	STAY 3	2	2	2	2	
26	4A0-28364-00	NUT	4	4	4	4	
27	4DP-28362-01	NUT	1	1	1	1	

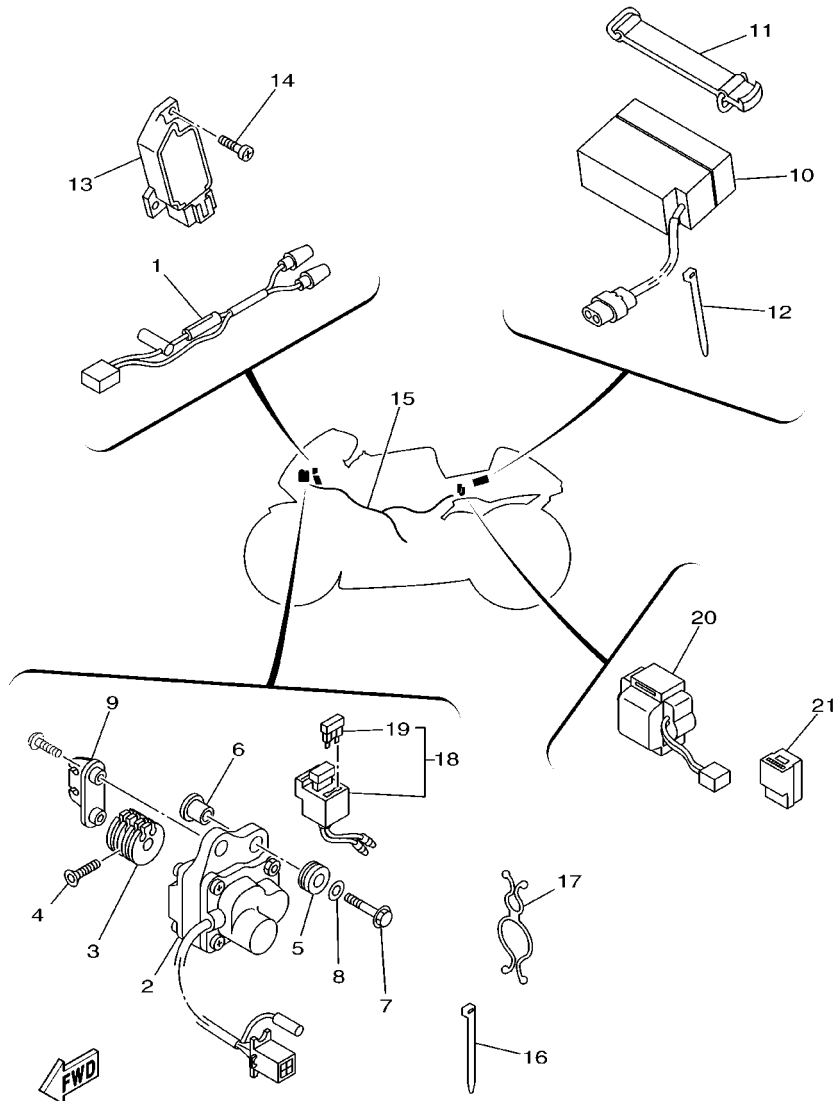
FIG. 30 GENERATOR



5KE1100-0300

REF. NO.	PART NO.	DESCRIPTION	USA	EUR	OCE	JPN	REMARKS
1	5KE-85501-00	C.D.I. MAGNETO SET	1	1	1	1	
2	90179-12248	NUT	1	1	1	1	
3	90201-127E1	WASHER, PLATE	1	1	1	1	
4	98580-06020	SCREW, PAN HEAD	2	2	2	2	
5	90201-06043	WASHER, PLATE	2	2	2	2	
6	95027-06020	BOLT, FLANGE	2	2	2	2	
7	3YL-82310-00	IGNITION COIL ASSY	1	1	1	1	
8	3YL-82320-01	IGNITION COIL ASSY	1	1	1	1	
9	95027-06020	BOLT, FLANGE	2	2	2	2	
10	4PE-82370-10	PLUG CAP ASSY	2	2	2	2	

FIG. 33 ELECTRICAL 1



5KE1100-0330

REF. NO.	PART NO.	DESCRIPTION	USA	EUR	OCE	JPN	REMARKS
1	4TW-82117-00	WIRE, LEAD	1	1	1	1	
2	3LC-85850-00	GEARED MOTOR COMP.	1	1	1	1	
3	3YL-85821-00	PULLEY, DRIVE	1	1	1	1	
4	90151-05031	SCREW, COUNTERSUNK	1	1	1	1	
5	90480-14023	GROMMET	2	2	2	2	
6	90387-063E6	COLLAR	2	2	2	2	
7	95027-06025	BOLT, FLANGE	2	2	2	2	
8	90201-06380	WASHER, PLATE	2	2	2	2	
9	3YL-85824-00	BRACKET, CABLE	1	1	1	1	
10	4TW-82100-10	BATTERY ASSY (GS PE12V0.8)	1	1	1		
	4TW-82100-00	BATTERY ASSY (GS PE12V0.8)				1	
11	18G-82131-00	BAND, BATTERY	1	1	1	1	
12	90464-13077	CLAMP	1	1	1	1	
13	1JK-81960-A1	RECTIFIER & REGULATOR ASSY	1	1	1	1	
14	98507-06020	SCREW, PAN HEAD	2	2	2	2	
15	5KE-82590-00	WIRE HARNESS ASSY	1	1	1	1	
16	90465-13275	CLAMP	2	2	2	2	
17	90464-26114	CLAMP	2	2	2	2	
18	4HF-82150-00	FUSE HOLDER ASSY	1	1	1	1	
19	42X-82151-00	.FUSE (10A-BL)	2	2	2	2	
20	4TW-82576-00	EMERGENCY STOP SWITCH ASSY	1	1	1	1	
21	1UY-81950-92	RELAY ASSY	1	1	1	1	

NUMERICAL INDEX

PART NO.	GRID NO.	PART NO.	GRID NO.	PART NO.	GRID NO.	PART NO.	GRID NO.	PART NO.	GRID NO.	PART NO.	GRID NO.
4K0-W0041-50	D - 8	5KE-12482-00	B - 7	137-14143-88	B - 11	59W-16356-00	B - 14	5KE-18535-00	C - 4	4TW-23111-10	C - 11
3YL-W0042-50	D - 10	5KE-12483-00	B - 7	137-14143-90	B - 11	5KE-16357-00	B - 15	5KE-18541-00	C - 4		C - 12
4TW-W0045-10	D - 3	4TW-12484-10	B - 7	137-14143-92	B - 11	3R4-16371-00	B - 14	3XV-18562-00	C - 4	4TW-23118-10	C - 11
4TW-W0046-00	D - 6	5KE-13161-00	B - 8	137-14143-94	B - 11	5KE-16381-00	B - 15	5KE-21110-00	C - 6		C - 12
3LC-W0047-50	D - 6	5H0-13310-00	B - 8	137-14143-96	B - 11	3XV-16384-00	B - 15	4TW-2117A-00	C - 7	5KE-23120-00	C - 11
4TW-W0047-00	D - 3	5KE-13316-00	B - 8	137-14143-98	B - 11	4DP-17121-11	C - 2	5KE-2119R-00	C - 6	5KE-23136-00	C - 11
4TW-W0047-10	D - 3	4DP-13324-00	B - 14	2K6-14147-00	B - 10	5KE-17131-00	C - 2	5KE-2119T-00	C - 6	3YL-23141-00	C - 11
1UY-W0048-50	D - 3	5KE-13411-00	B - 8	5ET-14147-00	B - 11	5KE-17131-10	C - 2	4TW-21190-02	C - 6	4TW-23142-10	C - 11
	D - 6	5KE-13555-00	B - 9	4TW-1416A-00	B - 11	5F7-17136-00	C - 3	5KE-21240-00	B - 9		C - 12
36Y-W0048-00	D - 8	5KE-13565-00	B - 9	5ET-14185-00	B - 10	5F7-17151-01	C - 2	4TW-2134T-00	C - 6	3JD-23145-L0	C - 11
4DP-W0057-00	D - 6	5KE-13610-00	B - 9	353-14186-00	B - 10	5KE-17161-00	C - 2	5KE-2134V-00	C - 6	36Y-23146-10	C - 11
4TW-W0057-00	D - 3	3XV-13613-01	B - 9	4PE-14194-00	B - 10	5KE-17161-10	C - 2	5KE-2139V-00	C - 7	3SP-23147-M0	C - 11
4TW-W0057-10	D - 3	2KM-13614-00	B - 9	4TW-14197-00	B - 11	5KE-17211-10	C - 2	5KE-21411-00	C - 6		C - 12
3FV-W2587-00	D - 8	3YL-13617-00	B - 9	830-14231-10	B - 10	5KE-17211-20	C - 2	5KE-21419-00	C - 6	26H-23156-00	C - 11
4DP-Y1332-00	B - 8	5KE-13620-00	B - 9	830-14231-11	B - 10	4DP-17221-11	C - 2	4DP-21495-00	C - 7	2K8-23158-L0	C - 11
5KE-11111-00	B - 2	5KE-13621-00	B - 9	8J0-14251-00	B - 11	5KE-17231-00	C - 2	4JT-21495-10	C - 6	5KE-23170-00	C - 11
5KE-1131A-00	B - 2	5KE-13622-00	B - 9	5KE-14261-00	B - 10	5KE-17231-10	C - 2	4TW-21510-00	D - 2	3LC-23181-00	C - 11
1RK-1131E-00	B - 2	4NK-13907-00	C - 14	1FN-14565-00	B - 10	5KE-17231-20	C - 3	5KE-21552-00	C - 10	4TW-23340-20	C - 12
3LC-1131V-00	B - 2	4TW-1410A-00	B - 10	5KE-14610-00	B - 12	5KE-17241-00	C - 3	5KE-2160A-00	B - 9	4TW-23357-10	C - 11
5KE-11310-00	B - 2	3XV-1410H-00	B - 10	5KE-14610-10	B - 12	3YL-17251-00	C - 3	2TV-21638-00	D - 12	1J7-23415-00	C - 10
4DP-1132E-00	B - 2	5KE-14101-00	B - 10	5KE-14620-00	B - 12	5KE-17261-00	C - 3	50M-21638-00	C - 7	4TW-23435-00	C - 12
4TW-1133E-00	B - 2	5KE-14102-00	B - 10	5KE-14620-10	B - 12	5KE-17261-10	C - 3	4TW-2171V-00	C - 6	5KE-23490-00	C - 10
4TW-1133F-00	B - 3	3JD-14104-00	B - 10	4JT-1469A-00	B - 12	5KE-17411-10	C - 2	3Y6-21747-00	D - 12	5KE-23495-00	C - 10
4TW-1133G-00	B - 3	4TW-14107-15	B - 10	5KE-14753-00	B - 12	5KE-17411-20	C - 2	5KE-211747-00	C - 7	5KE-2411B-00	C - 13
4TW-1133H-01	B - 3	5KE-14112-50	B - 11	4DP-14755-00	B - 12	5KE-17421-00	C - 2	3YL-21751-00	C - 6	4JT-2411M-00	C - 14
4DP-11351-31	B - 3	5ET-14115-00	B - 10	5KE-1490J-00	B - 10	278-17424-01	B - 4	4TW-22110-02	C - 8	4JT-2411R-00	C - 14
4DP-11351-40	B - 3	4TW-14131-00	B - 10	5KE-15100-00	B - 13	3AK-17471-00	C - 3	1X2-22127-00	C - 8	5KE-24110-00-36	C - 13
4JT-11351-02	B - 3	137-1414K-00	B - 11	5KE-15131-00	B - 13	5KE-18101-00	C - 5	3FV-22128-00	C - 8	4DP-24181-00	C - 14
4JT-11351-12	B - 3	137-1414K-08	B - 11	4A0-15363-00	B - 13	4DP-18110-00	C - 5	3MA-22141-01	C - 8	3LC-24182-00	C - 14
4JT-11351-22	B - 3	137-1414K-12	B - 11	4JT-15381-01	B - 5	4DP-18112-00	C - 5	4TW-22147-00	C - 8	5KE-24311-00	C - 13
5KE-11400-00	B - 4	137-1414K-16	B - 11		C - 3	3FV-18113-00	C - 5	4TW-22151-00	C - 7	5KE-24312-00	C - 13
5KE-11455-00	B - 5	3TC-14141-R9	B - 10	5KE-15381-00	C - 2	4A0-18113-00	D - 10	4JT-2216F-10	C - 8	5KE-24313-00	C - 13
5KE-11531-00	B - 5	3TC-14141-S0	B - 10	5KE-15411-00	B - 13	5F7-18115-00	C - 5	5KE-2217A-00	C - 8	3PA-24356-00	D - 8
5KE-11536-00	B - 4	3TC-14141-S1	B - 10	5KE-15421-00	B - 13	3TC-18116-00	C - 5	5KE-2217F-00	C - 8	1X2-24376-00	C - 13
4JT-11611-00	B - 4	3TC-14141-S2	B - 10	3YL-15441-00	B - 15	3TC-18117-00	C - 5	3XV-22184-00	C - 8	3XJ-24380-00	C - 13
5KE-11631-00-A0	B - 4	3TC-14141-S4	B - 10	5KE-15451-00	B - 13	3XV-18122-00	C - 4	4TW-22187-10	C - 8	3CV-24491-10	C - 13
5KE-11631-00-B0	B - 4	4KM-14142-25	B - 10	5KE-15461-00	B - 13	3MA-18127-00	C - 5	5KE-22210-00	C - 9	4JT-24500-00	C - 13
5KE-11631-00-C0	B - 4	4KM-14142-27	B - 10	5KE-16111-00	B - 4	3XV-18140-00	C - 4	4JT-22219-00	C - 9	4X8-24512-00	C - 13
4XM-11633-00	B - 4	4KM-14142-30	B - 10	5KE-16151-00	B - 14	5KE-18172-00	C - 4	4JT-22239-00	C - 9	3AJ-24523-00	C - 13
5KE-11651-00	B - 4	137-14143-70	B - 11	5F7-16153-00	B - 14	3XV-18173-00	C - 4	1RK-22251-00	C - 10	3AJ-24534-00	C - 13
3YL-11932-00	B - 2	137-14143-72	B - 11	3YL-16154-00	B - 14	3XJ-18178-00	C - 4		C - 9	4JT-24611-00	C - 13
3YL-11932-10	B - 2	137-14143-74	B - 11	5F7-16181-00	B - 14	3YL-18182-00	C - 4	3AK-22252-00	C - 9	4JT-24612-00	C - 13
3YL-12232-00	B - 7	137-14143-76	B - 11	5KE-16310-00	B - 14	3YL-18184-00	C - 4	4AA-22259-00	C - 9	5KE-24710-00	C - 15
5KE-12422-00	B - 6	137-14143-78	B - 11	3AK-16321-00	B - 14	3YL-18185-00	C - 4	4AA-22259-40	C - 9	5KE-24713-00	C - 15
5KE-12428-00	B - 6	137-14143-80	B - 11	3YL-16321-01	B - 14	5KE-18511-00	C - 4	4AA-22259-50	C - 9	4JT-24763-00	C - 15
5KE-12450-00	B - 6	137-14143-82	B - 11	168-16324-00	B - 14	5KE-18512-00	C - 4	5KE-23102-00	C - 11	4TW-25117-00	D - 2
4TW-12461-00	B - 7	137-14143-84	B - 11	5F7-16343-00	B - 14	5KE-18513-00	C - 4	5KE-23103-00	C - 11	4TW-25168-00	D - 2
22W-12462-00	B - 7	137-14143-86	B - 11	26J-16351-00	B - 14	3XV-18531-00	C - 4	5KE-23110-00	C - 11	4DP-2518A-00	D - 4

NUMERICAL INDEX

PART NO.	GRID NO.	PART NO.	GRID NO.	PART NO.	GRID NO.	PART NO.	GRID NO.	PART NO.	GRID NO.	PART NO.	GRID NO.
4DP-25181-10	D - 2	4TW-25895-00	D - 11	4TW-82117-00	E - 3	90119-05239	D - 11	90201-177G4	C - 4	90450-40009	B - 7
4TW-25183-00	D - 2	3FV-25919-00	D - 3	1KT-82122-00	C - 7	90119-06096	C - 13	90201-183E1	D - 2	90460-20190	B - 7
4TW-25317-00	D - 4	5KE-25919-50	D - 6	18G-82131-00	D - 12	90119-06227	C - 8		D - 5	90460-52210	B - 9
4TW-25338-00	D - 4	3FV-25924-00	D - 3		E - 3	90123-06007	D - 7	90201-183H2	B - 13	90464-12089	C - 7
3YL-25364-00	D - 4	4JT-25924-00	D - 6	4HF-82150-00	E - 3	90149-05149	B - 2	90201-20276	C - 2		D - 11
5KE-25366-01	D - 4	3YL-26121-00	D - 7	42X-82151-00	E - 3	90149-06011	C - 13	90201-206E5	C - 2	90464-13077	E - 3
4TW-25376-00	D - 5	3YL-26122-01	D - 7	3YL-82310-00	D - 14	90150-06021	D - 13	90201-225A4	C - 10	90464-16115	D - 7
4DP-25379-00	D - 4	47X-26241-00	D - 7	3YL-82320-01	D - 14		D - 2	90201-253K0	C - 2	90464-18246	C - 7
4TW-25381-00	D - 4	47X-26242-00	D - 7	4PE-82370-10	D - 14	90150-06036	C - 15	90201-25526	C - 10	90464-25160	C - 13
4TW-25383-00	D - 4	3YL-26243-00	D - 7	4TW-82576-00	E - 3	90151-05031	E - 3	90201-256E4	C - 2	90464-26114	E - 3
4TW-25388-01	D - 4	4JT-26246-00	D - 7	5KE-82590-00	E - 3	90151-06001	B - 5	90201-256E6	C - 2	90465-10098	D - 12
4TW-25389-01	D - 4	3Y1-26249-00	D - 7	5F6-82911-00	E - 2		C - 2	90202-05193	C - 13	90465-13152	C - 13
4TW-25398-00	D - 2	3YL-26281-01	D - 7	4V4-82913-00	E - 2		C - 3	90202-08022	B - 12		C - 7
	D - 4	3YL-26282-00	D - 7	4A0-83522-00	D - 15	90157-05004	C - 4	90209-22082	C - 3		D - 9
4TW-25435-02	D - 4	5KE-26311-00	D - 7	5KE-83540-00	D - 15	90159-06016	B - 14	90209-24316	B - 4	90465-13275	C - 14
4TW-25436-02	D - 4	5KE-26312-00	D - 7	4A0-83541-00	D - 15	90170-06228	C - 5	90209-24327	B - 4		C - 6
4TW-25437-02	D - 4	4DP-26331-00	D - 9	5KE-83553-00	D - 15	90170-14171	B - 5	90215-14204	B - 5		D - 8
4TW-25438-02	D - 4	4DP-26334-00	D - 9	5KE-83591-00	D - 15	90170-20255	B - 14	90215-20212	B - 14		E - 3
4TW-25439-02	D - 4	5KE-26335-00	D - 7	5KE-83611-00	D - 15	90179-08003	B - 3	90215-21121	C - 3	90467-09006	C - 13
4TW-25440-02	D - 4	5F6-26368-00	D - 7	214-83912-00	E - 2	90179-10696	C - 6	90267-32018	C - 7	90467-10008	C - 13
4TW-25807-10	D - 3	5KE-27211-00	D - 10	4JT-83922-00	D - 8	90179-12248	D - 14	90267-48147	B - 12	90467-11044	D - 11
4TW-2580U-10	D - 3	3YL-27222-00	D - 10	240-83941-00	D - 8	90179-20255	C - 3	90280-04001	B - 4	90467-14057	D - 11
4TW-2580W-01	D - 6	4TW-27264-00	D - 10	240-83946-00	D - 9	90179-25033	C - 10	90338-06041	B - 13	90468-16099	C - 10
4JT-2581T-10	D - 3	4JT-27411-20	D - 10	4TW-83976-00	E - 2	90185-08097	B - 12		C - 6	90480-13163	C - 13
4TW-25819-00	D - 6	4JT-27412-20	D - 10	5KE-85501-00	D - 14		D - 4	90338-18266	C - 7	90480-13197	C - 15
2VN-2582A-50	D - 8	36Y-27414-00	C - 6	3YL-85821-00	E - 3	90185-08162	D - 4	90340-12144	B - 13	90480-14023	E - 7
36Y-2582A-50	D - 10	4TW-27445-00	D - 10	3YL-85824-00	E - 3	90185-18104	C - 8	90340-18101	B - 13	90480-14153	C - 3
3YL-2582F-00	D - 8	4JT-28321-00	D - 12	3LC-85850-00	E - 3		D - 2	90380-08192	B - 2		C - 9
4TW-2582W-00	D - 6	4DP-28334-00	D - 13	90101-10709	C - 8		D - 4	90383-12013	C - 5	90480-14585	C - 7
3YL-2583V-00	D - 10	5KE-28345-00	D - 12		C - 9	90201-06043	D - 14	90387-063E6	B - 7	90480-15363	B - 7
3FV-25852-00	D - 8	5KE-28350-00	D - 12	90105-063A0	B - 2	90201-06380	E - 3		E - 3	90480-18276	C - 7
3XP-25852-50	D - 11	5KE-28356-00	D - 12	90105-10300	C - 6	90201-06571	B - 7	90387-066N1	B - 7	90480-18418	C - 14
2VN-25854-00	D - 11	3YL-28358-00	D - 12	90105-10445	B - 4	90201-08403	B - 2	90387-06737	C - 13	90480-20389	B - 12
3FV-25854-00	D - 8	4DP-2836A-00	D - 12	90105-105A7	D - 3	90201-08455	C - 10	90387-083U8	C - 14	90480-25482	B - 9
2J2-25855-50	D - 8	4TW-2836E-00	D - 12	90109-05001	B - 2	90201-08512	B - 8	90387-084Y3	B - 12	90501-052G5	C - 4
2VN-25855-00	D - 11	4DP-28362-01	D - 12	90109-06028	B - 13	90201-087F0	C - 5	90387-124Y8	C - 8	90501-230A5	B - 14
2VN-25866-00	D - 8	4A0-28364-00	D - 12	90109-06029	B - 13	90201-10118	D - 10	90387-127V3	C - 4	90507-20035	B - 12
56A-25867-00	D - 8	4TW-28371-00	D - 12	90109-067E6	C - 7		D - 8	90387-176R1	B - 5	90508-121A2	B - 15
4DP-25872-01	D - 8	4TW-28371-10	D - 12	90109-06799	E - 2	90201-10144	B - 4	90387-25001	C - 3	90508-231A5	C - 4
4TW-25873-01	D - 8	5KE-2838N-00	D - 12	90109-08398	D - 9	90201-12166	B - 6	90401-10168	D - 10	90508-29742	C - 5
4TW-25874-00	D - 10	4TW-28381-10	D - 12	90109-084F1	B - 13	90201-12175	D - 9	90401-10174	D - 8	90560-12075	C - 5
3XV-25876-00	D - 11	3YL-28386-00	D - 12	90109-087F6	C - 5	90201-12588	C - 5	90430-06166	B - 13	90560-12361	C - 5
3LC-25885-00	D - 10	3YL-28388-00	D - 12	90110-08193	D - 3	90201-127E1	B - 8		B - 2	91A20-05020	C - 13
	D - 8	240-28389-00	D - 12		D - 6		C - 4		C - 6	91A20-05065	C - 13
3FV-2589A-00	D - 8	1UY-81950-92	E - 3	90116-08409	B - 3		D - 14	90430-12202	B - 13	91311-06040	C - 11
3FV-2589F-00	D - 8	1JK-81960-A1	E - 3	90116-08564	B - 3	90201-127J6	C - 9	90445-09251	B - 7		C - 12
3FV-25894-00	D - 8	4TW-82100-00	E - 3	90119-05239	C - 7	90201-14212	D - 10	90445-093H5	B - 13	91311-08035	C - 12
4EW-25894-00	D - 11	4TW-82100-10	E - 3		D - 10	90201-154E8	C - 4	90446-17346	D - 12	91314-06020	B - 9

NUMERICAL INDEX

PART NO.	GRID NO.	PART NO.	GRID NO.	PART NO.	GRID NO.	PART NO.	GRID NO.	PART NO.	GRID NO.	PART NO.	GRID NO.
91314-06035	B - 13	93109-12012	C - 5	93606-12019	B - 13	97007-06020	D - 10				
91317-05010	B - 15	93210-04279	B - 14	93834-14178	C - 3	97017-06020	C - 5				
	B - 2	93210-06001	B - 8	93834-15079	C - 3	97027-06020	B - 12				
91317-05012	C - 3	93210-09165	B - 14	93834-16104	C - 3	97780-40110	D - 15				
91317-05016	C - 10	93210-15620	D - 10	93900-00031	D - 2	97801-03008	C - 13				
91317-05020	D - 7		D - 8		D - 4	98507-03006	B - 9				
91317-05025	B - 8	93210-19758	B - 13	94116-1713M	D - 4	98507-04008	B - 10				
91317-06020	B - 13	93210-21190	B - 13	94131-1709C	D - 2	98507-04014	B - 10				
	C - 10	93210-22164	B - 14	94561-62110	D - 4		E - 2				
	C - 6	93210-28543	B - 13	94561-62114	D - 4	98507-05008	D - 7				
91317-06025	B - 13	93210-42482	B - 14	94661-62031	D - 4	98507-05014	B - 11				
	B - 6	93210-42728	B - 12	94702-00374	B - 2	98507-06010	B - 8				
	B - 9	93210-63442	B - 2	94709-00374	B - 2	98507-06018	D - 8				
	D - 7	93210-88696	B - 2	95026-06025	D - 8	98507-06020	E - 3				
91317-06030	B - 13	93306-00442	C - 2	95027-06012	B - 15	98511-04012	D - 10				
91317-08035	C - 12	93306-00521	D - 2		C - 6	98580-06020	D - 14				
91317-10016	C - 9		D - 4		C - 7	98907-04010	D - 12				
91318-06014	C - 4	93306-07806	D - 4	95027-06014	D - 12	98907-05008	C - 13				
91401-16012	D - 6	93306-20470	C - 3		D - 8	98907-05020	B - 2				
91401-25030	D - 13	93306-20526	C - 2	95027-06016	D - 11	98907-06010	C - 10				
91701-08038	C - 10	93306-20574	C - 3	95027-06020	D - 14	99009-12400	B - 6				
92017-06020	D - 10	93306-30316	B - 5	95027-06025	C - 6		C - 4				
92017-08020	D - 10	93306-30564	B - 4		E - 3	99009-17400	C - 4				
	D - 6	93306-30571	B - 4	95027-06030	B - 7	99009-20400	C - 2				
92017-08025	C - 10	93306-30632	B - 4		D - 12	99237-00100	C - 15				
	D - 10	93306-90105	B - 6	95027-06045	C - 6		D - 13				
92901-04600	D - 10	93306-90302	C - 4	95027-08020	C - 6	99237-00280	D - 13				
92902-04100	D - 10	93310-22057	C - 2	95027-08030	B - 12	99510-10114	B - 3				
92907-03100	B - 9	93310-31554	B - 4	95304-06700	C - 5	99530-10014	B - 13				
92907-04200	D - 12	93310-332J5	B - 14	95307-06600	B - 14						
92907-05100	D - 7	93310-52403	B - 4		C - 6						
	E - 2	93311-32261	B - 5		D - 10						
92907-05600	B - 8	93315-11206	B - 15	95307-08700	C - 6						
92907-06100	D - 9	93315-42523	C - 8	95606-06100	D - 8						
92907-06200	B - 14	93320-21507	C - 8	95607-04100	D - 12						
92907-06600	B - 12	93332-00001	C - 10	95607-06100	C - 5						
	D - 10	93332-00081	C - 10		D - 10						
92907-18200	C - 8	93342-22516	C - 8		E - 2						
93101-12126	B - 6	93420-30049	B - 5	95607-06200	B - 7						
93101-44160	B - 4	93440-08130	B - 2		D - 11						
93101-56095	B - 14	93440-25084	C - 2	95607-10200	C - 6						
93102-12224	B - 15	93450-16068	B - 4		C - 8						
93102-25438	B - 4	93515-32029	B - 14		C - 9						
93102-30243	B - 14	93603-12030	B - 8	95617-06100	D - 12						
93102-32337	C - 3	93604-08071	B - 2	95827-06010	B - 2						
93102-35030	B - 4	93604-10011	B - 6	95827-10045	C - 6						
93104-08040	B - 2		B - 8	95827-10060	C - 6						
93109-11073	B - 6	93604-26256	B - 2	97007-05020	E - 2						

CONTENTS

ENGINE

CYLINDER HEAD	B2
CRANKSHAFT. PISTON	B4
COUNTER SHAFT	B5
WATER PUMP	B6
RADIATOR. HOSE	B7
OIL PUMP	B8
INTAKE	B9
CARBURETOR	B10
EXHAUST	B12
CRANKCASE	B13
CLUTCH	B14
TRANSMISSION	C2
SHIFT CAM. FORK	C4
SHIFT SHAFT	C5

CHASSIS

FRAME	C6
REAR ARM	C8
REAR SUSPENSION	C9
STEERING	C10
FRONT FORK	C11
FUEL TANK	C13
SEAT	C15
FRONT WHEEL	D2
FRONT BRAKE CALIPER	D3
REAR WHEEL	D4
REAR BRAKE CALIPER	D6
STEERING HANDLE. CABLE	D7
FRONT MASTER CYLINDER	D8
STAND. FOOTREST	D10
COWLING 1	D12
GENERATOR	D14

METER	D15
HANDLE SWITCH. LEVER	E2
ELECTRICAL 1	E3

INDEX

NUMERICAL INDEX	M1
-----------------------	----